



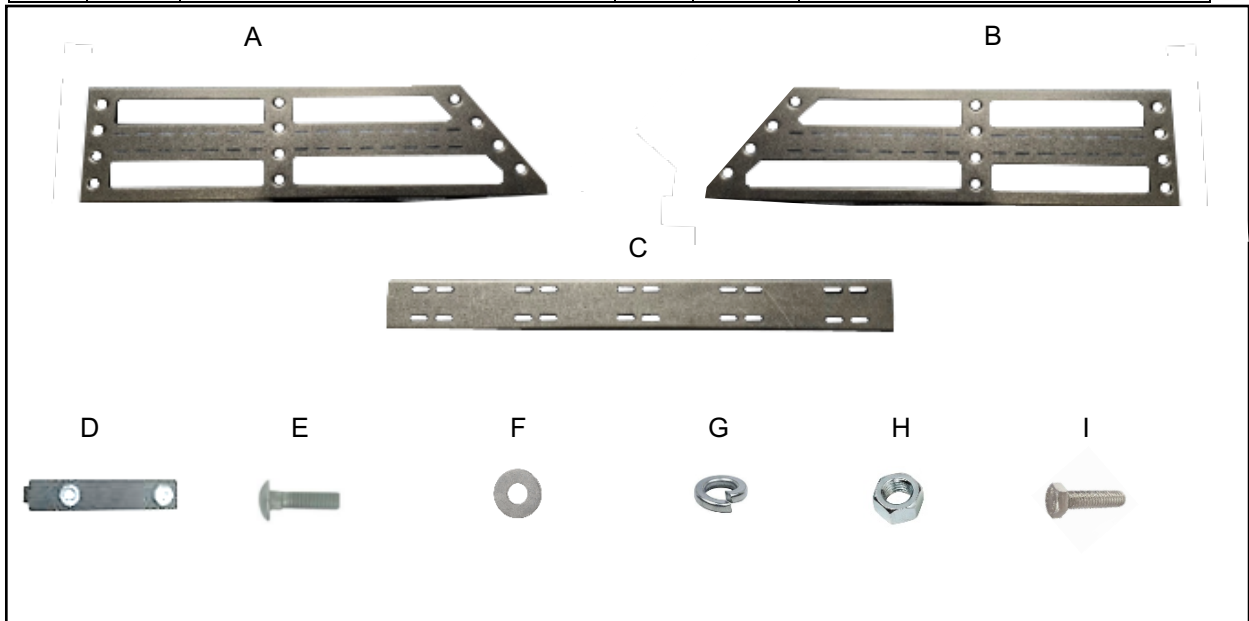
Installation Instructions
FITS: 16-23 Toyota Tacoma
Bed Rack
Part#: TT33233

TOOLS NEEDED

Impact Wrench	Ratchet	13mm wrench	13mm socket
---------------	---------	-------------	-------------

COMPONENTS & HARDWARE

#	QTY		#	QTY	
A	1	Driver side panel	B	1	Passenger side panel
C	3	Center cross bar	D	6	Bed Rail Brackets
E	24	M8x1.25 Carriage	F	36	M8 Flat washer
G	36	M8 Split washer	H	36	M8x1.25 Hex head nut
I	12	M8x1.25 hex head bolt			



Thank you for purchasing our Tacoma Bed Rack. Please take a few minutes to read and thoroughly familiarize yourself with the installation procedures in this manual. Following the steps as outlined will save you time and help reduce mistakes. Once the instructions are reviewed, if you feel that you are not capable of safely installing the parts seek the help of a qualified installation expert to help you complete the job. For Technical assistance call 866-988-8348

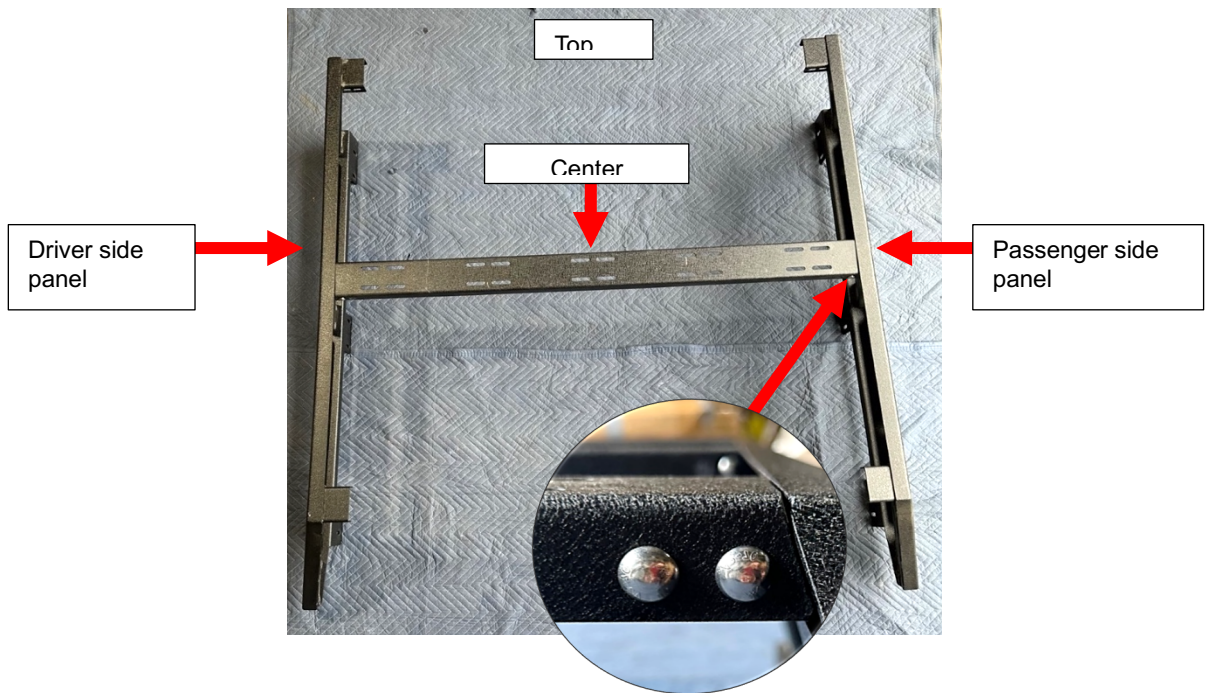


Please take a few minutes to read and thoroughly familiarize yourself with the installation procedures outlined in this manual. Following the steps as outlined will save you time and help reduce mistakes. Once the instructions are reviewed, if you feel that you are not capable of safely installing the parts seek the help of a qualified installation expert to help you complete the job. The manufacture is in no way responsible for any personal injury or vehicle damage that may occur during the installation.

California Proposition 65 Warning!

This product may contain one or more chemicals known to the State of California to cause cancer and birth defects or other reproductive harm. For more information go to www.P65Warnings.ca.gov.

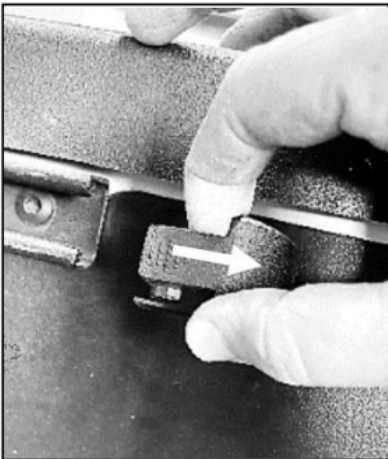
Assembling Rack



Step 1.

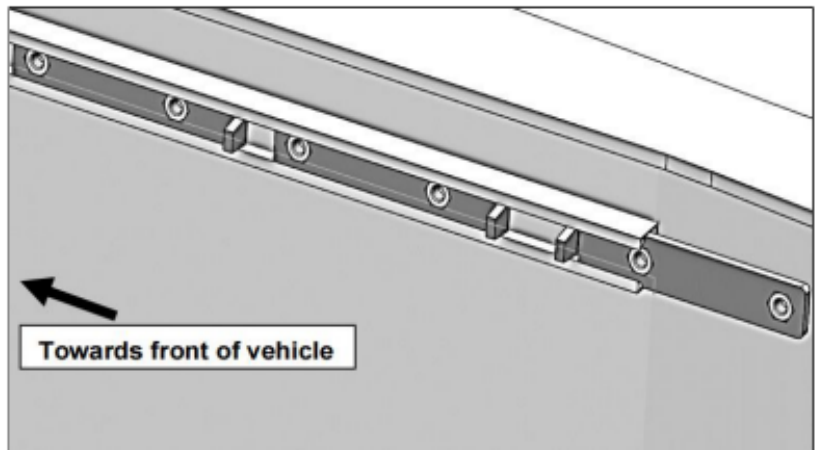
Working on padded surface. Install the driver & passenger side panels onto the center cross bar, using the supplied M8 carriage bolt, M8 flat washers, M8 split washers, & M8 hex head nut. Do not tighten hardware until all cross bars are installed to prevent the bed rack from shifting. Repeat step for remaining crossbars.

INSTALLING RACK ON VEHICLE



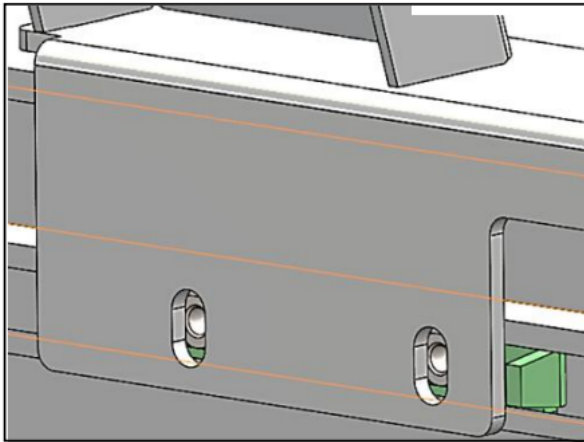
Step 1.

Open vehicle tailgate. Remove the end cap on the factory bed rail. Repeat for the other side.



Step 2.

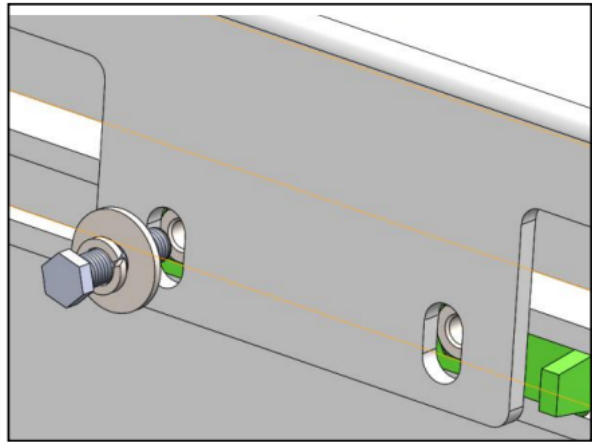
Locate supplied bed rail brackets. Slide 3 brackets into the factory bed rail. The first two should have the flag facing towards rear of the truck. The third one should have the flag facing towards the front of the truck.



Step 3.

With the help of two assistants (one person in the bed and one on each side of the rack) carefully lift the rack onto the vehicle. Adjust the rack to desired position.

Slide the bed rail bracket until the slots in the rack line up with the threaded insert in the bracket



Step 4.

Locate 8 supplied M8 x 30mm hex head bolts, M8 spring washers and M8 flat washers. Slide a spring washer and a flat washer onto one of the bolts. Start the bolt through the slot in the rack and into the threaded insert in the brackets. Repeat for all the remaining bolts. Using a ratchet with a 1/2" socket tighten down the bolts.

Congratulations. The installation is complete.

