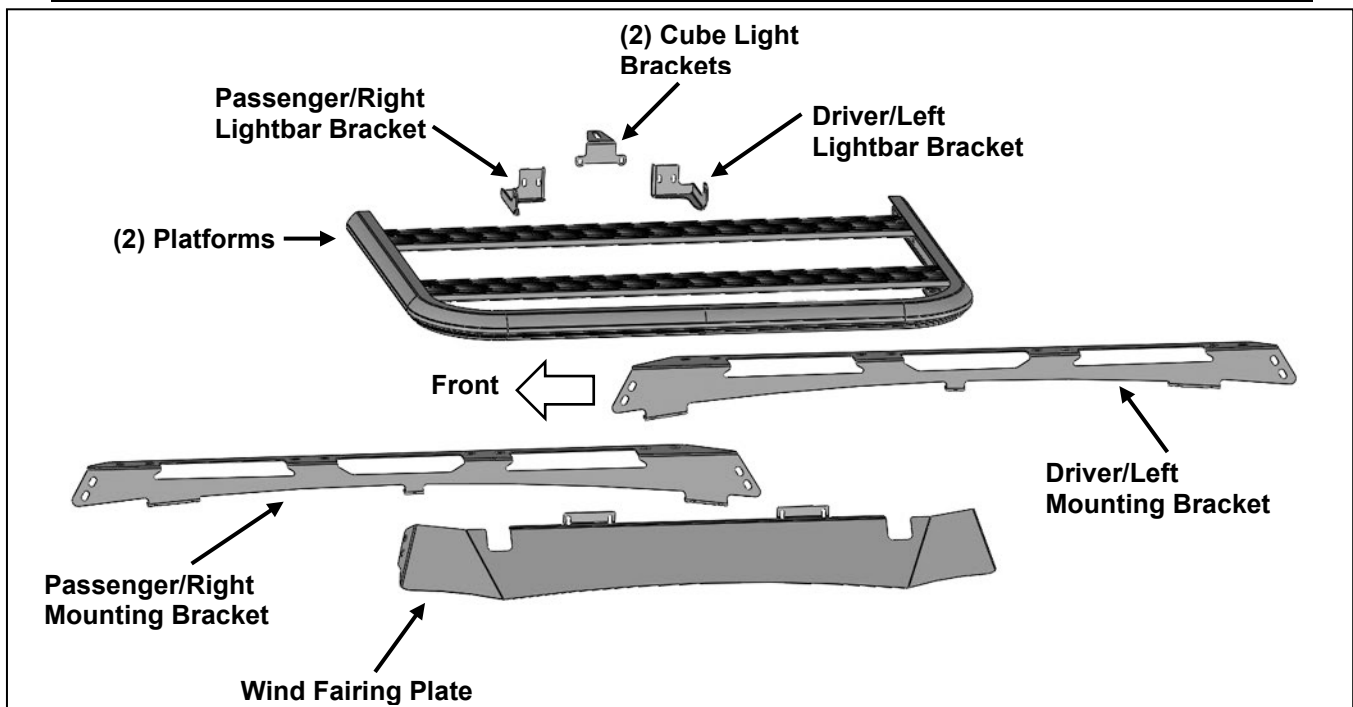


**PARTS LIST:**

2	PR1 Platforms	4	8mm x 25mm Hex Bolts
1	Driver/Left Mounting Bracket	2	8mm x 16mm Button Head Bolts
1	Passenger/Right Mounting Bracket	2	8mm Lock Washers
4	Cube Light Brackets	10	8mm x 24mm OD x 2mm Flat Washers
1	Driver/left Lightbar Bracket	4	8mm Nylon Lock Nuts
1	Passenger/Right Lightbar Bracket	8	6mm Double Bolt Plates
1	Wind Fairing Plate	10	6mm x 45mm Hex Bolts
2	Plastic Joints	8	6mm x 20mm Button Head Combo Bolts
1	Rubber Trim	10	6mm Lock Washers
4	Double Slot Spacer Blocks	26	6mm x 18mm OD x 1.6mm Flat Washers
2	Single Slot Spacer Blocks	16	6mm Nylon Lock Nuts
4	Double Slot Foam Adhesive Strips	1	5mm Hex Wrench
2	Single Slot Foam Adhesive Strips	1	4mm Hex Wrench
10	Weather Proofing Sticker		

**PROCEDURE:**

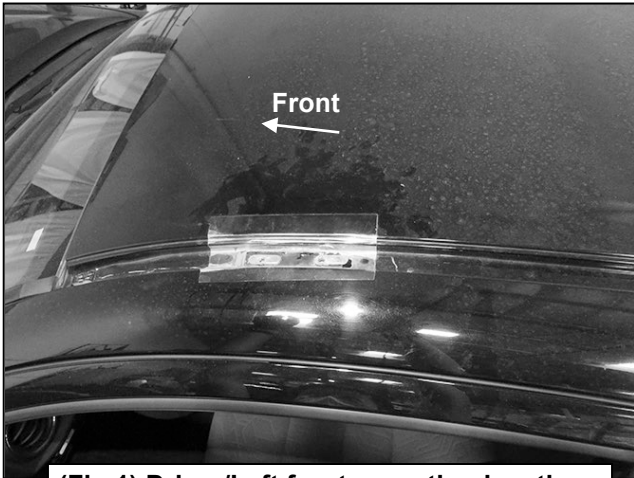
- 1. REMOVE CONTENTS FROM BOX. VERIFY ALL PARTS ARE PRESENT. READ INSTRUCTIONS CAREFULLY. USE ILLUSTRATION TO IDENTIFY BRACKETS.**
- Starting on the Driver/Left front of the vehicle, remove the rubber trim in the rain gutter on top of the vehicle, **(Figures 1—3)**. Repeat to remove the rubber trim on the Passenger/Right Side.
- Select the Rubber Strip. Attach the Rubber Strip to the front edge of the Front Cross Plate, **(Figure 4)**.
- Select the (2) PR1 Platforms and the (2) Plastic Joints. Slide the Platforms onto the Joints and secure with (8) 6mm Combo Bolts, **(Figure 5)**. Do not tighten hardware.
- Select the Rear Cross Plate. Attach the Rear Cross Plate to the Side Plates with (4) 6mm Combo Bolts, **(Figure 6)**. Do not tighten hardware.
- Select (1) Double Slot Spacer Block and (1) Double Slot Foam Strip. Attach the Foam Strip to the Spacer Block. Repeat this **Step** to attach the remaining (3) Double Slot Foam Strips to the (3) remaining Double Slot Spacer Blocks, **(Figure 6)**. Attach (1) Single Slot Foam Strip to each of the (2) Single Slot Spacer Blocks, **(Figure 7)**.
- Locate the (10) threaded inserts in both rain gutters. Attach (1) Weather Proofing Sticker to each of the (10) threaded holes. Place the (4) Double Slot Spacer Blocks foam side down onto the front and rear

locations, **(Figures 1, 3 & 8)**. Place the (2) Single Slot Spacer Blocks foam side down onto both center locations, **(Figure 2)**.

8. Select the Driver/Left Mounting Bracket. Attach the Bracket to the top of the Spacer Blocks with (5) 6mm x 45mm Hex Bolts, (5) 6mm Lock Washers and (5) 6mm Flat Washers, **(Figure 9)**. Do not tighten hardware.
9. Repeat **Step 8** to attach the Passenger/Right Mounting Bracket.
10. With assistance, lift the Platform assembly onto the Mounting Brackets. Attach the Platform to the Mounting Brackets with (8) 6mm Double Bolt Plates, (16) 6mm Flat Washers and (16) 6mm Nylon Lock Nuts, **(Figure 10)**. Do not tighten Hardware.
11. Level and adjust the Roof Rack and tighten all hardware.
12. Select (2) Cube Light Brackets, Lightbar Brackets and the Wind Fairing Plate. Temporarily remove the flange nuts located at the front end of the Platform. Slide the Light Brackets and Wind Plate onto the t-bolts in the Platform. Reuse the flange nuts to secure **(Figure 11)**.
13. Secure the sides of the Wind Fairing Plate to the Mounting Brackets with (4) 8mm x 25mm Hex Bolts, (8) 8mm Flat Washers and (4) 8mm Nylon Lock Nuts, **(Figure 12)**.
14. **For Lightbar attachment, (Lightbar not included)**, Attach selected lightbar to the Lightbar Brackets with (2) 8mm x 16mm Button Head Bolts, (2) 8mm Lock Washers and (2) 8mm Flat Washers, **(Figure 13)**. Follow Lightbar manufacturer instructions for correct wiring.
15. Do periodic inspections to the installation to make sure that all hardware is secure and tight.

**To protect your investment**, Do not use any type of polish or wax that may contain abrasives that could damage the finish. Mild soap may be used to clean the Platform.

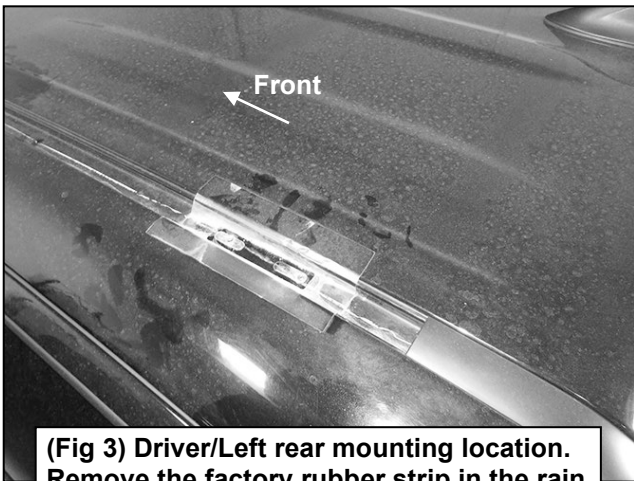
### Driver Side Installation Pictured



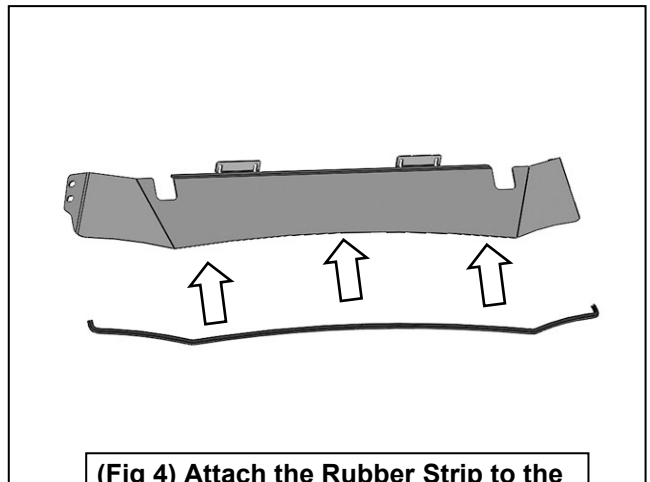
**(Fig 1) Driver/Left front mounting location. Remove the factory rubber strip in the rain gutter to access the mounting locations**



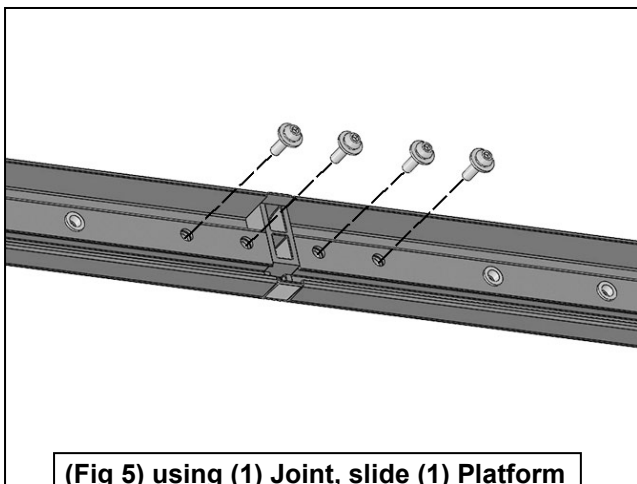
**(Fig 2) Driver/Left center mounting location. Remove the factory rubber strip in the rain gutter to access the mounting locations**



**(Fig 3) Driver/Left rear mounting location. Remove the factory rubber strip in the rain gutter to access the mounting locations**

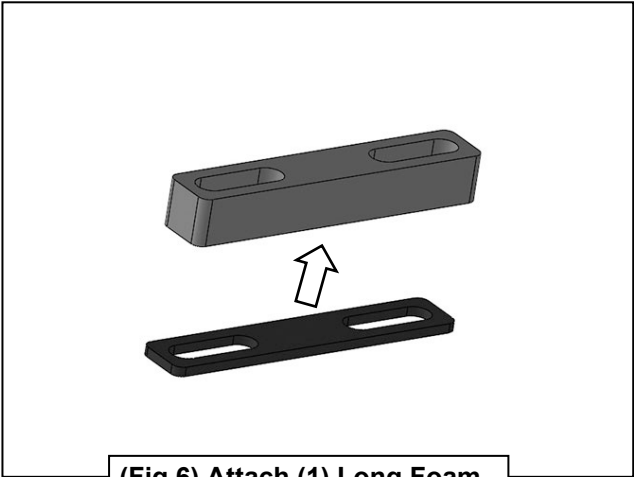


**(Fig 4) Attach the Rubber Strip to the front of the Wind Fairing Plate to protect the finish of the vehicle**



**(Fig 5) using (1) Joint, slide (1) Platform into each side of the Joint and secure**

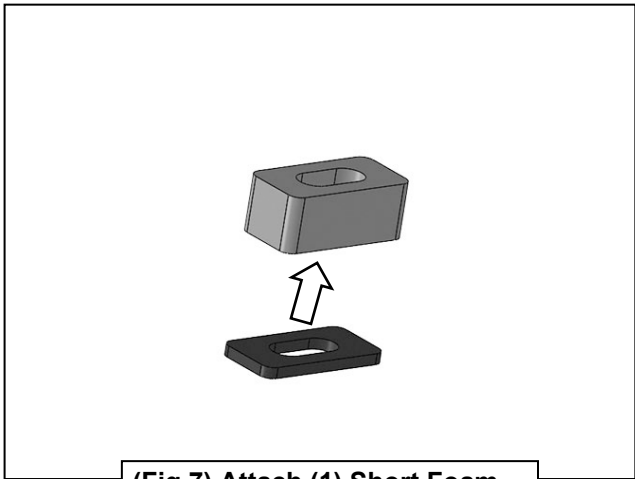
**Driver Side Installation Pictured**



**(Fig 6) Attach (1) Long Foam Strip to (1) Long Spacer**

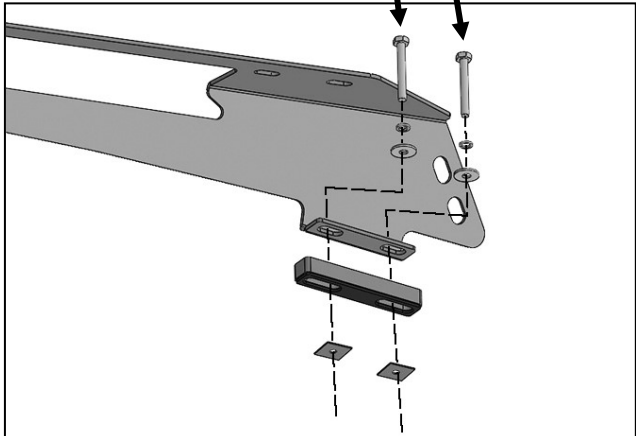


**(Fig 8) Attach (1) Weather Proofing Sticker to each of the (10) threaded holes in the roof. Place the Spacers with the foam side down on top of the Stickers**



**(Fig 7) Attach (1) Short Foam Strip to (1) Short Spacer**

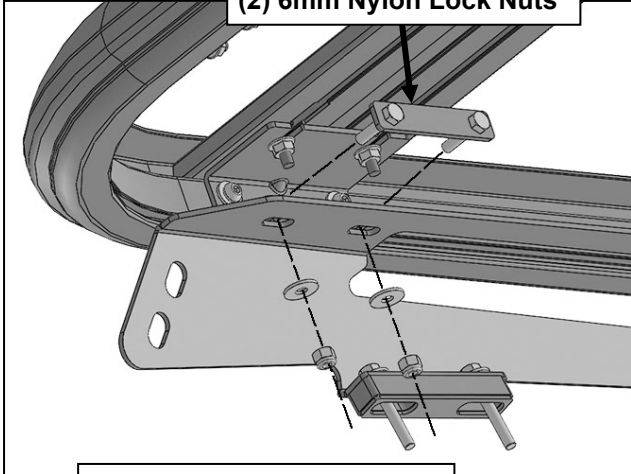
- (2) 6mm x 45mm Hex Bolts
- (2) 6mm Lock Washers
- (2) 6mm Flat Washers



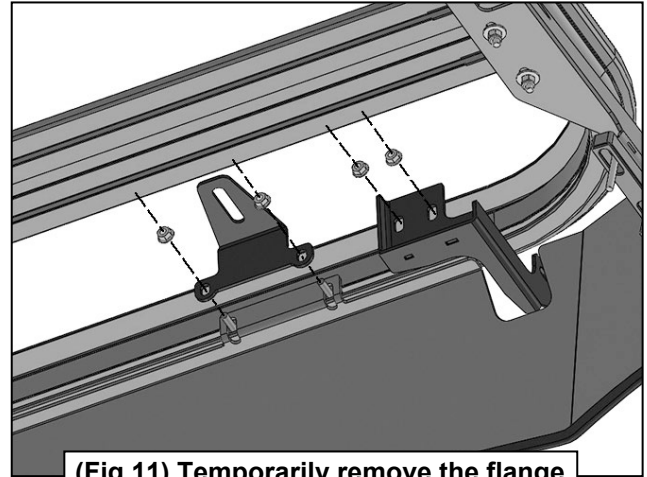
**(Fig 9) Attach the Driver/Left Mounting Bracket to the top of the Spacer Blocks**

**Driver Side Installation Pictured**

- 6mm Double Bolt Plate
- (2) 6mm Flat Washers
- (2) 6mm Nylon Lock Nuts

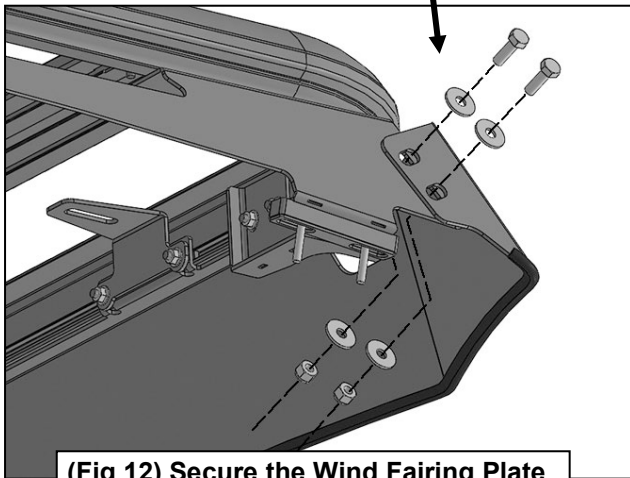


**(Fig 10) Attach the Platform to the Mounting Brackets**



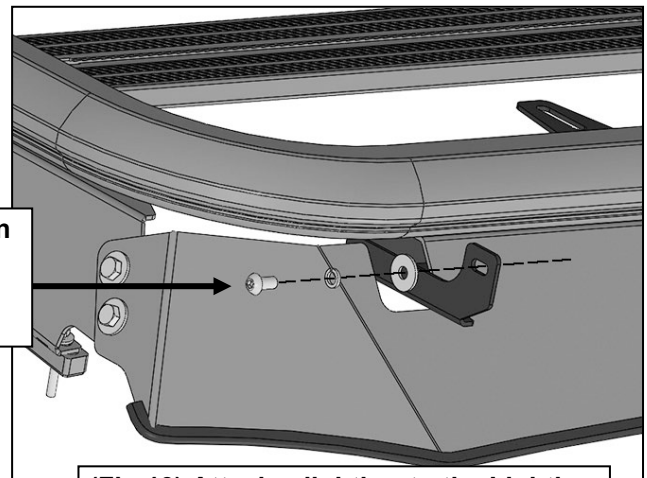
**(Fig 11) Temporarily remove the flange nuts in the front of the Platform. Reuse the flange nuts to attach the Cube Light Brackets, Lightbar Brackets and Wind fairing Plate**

- (2) 8mm x 25mm Hex Bolts
- (2) 8mm Flat Washers
- (2) 8mm Nylon Lock Nuts



**(Fig 12) Secure the Wind Fairing Plate to the sides of the Mounting Brackets**

- (2) 8mm x 16mm Button Head Bolts
- (2) 8mm Lock Washers
- (2) 8mm Flat Washers



**(Fig 13) Attach a lightbar to the Lightbar Brackets, (lightbar not included)**

