



---

# LOW PROFILE QUAD FOLD TONNEAU COVER

---

## INSTALLATION INSTRUCTIONS

### CONTENTS

---

- (1) Tonneau Cover
- (1) LH Front Side Rail
- (1) RH Front Side Rail
- (1) LH Rear Side Rail
- (1) RH Rear Side Rail
- (3) Cover Lock Sets
- (1) Bulk Head Gasket
- (2) Drain Tubes
- (2) Prop Rods
- (2) Strap Mounting Brackets
- (2) Tonneau Cover Bushings
- (2) Side Rail Joining Clamps
- (6) Side Rail Mounted Clamps
- (8) Bed Rail Mounted Clamps
- (8) M8 Thumbscrew
- (8) M8x1.25 x 45mm Allen Bolts
- (6) Strap Mounting Bracket Allen Screws
- (2) M6 Threaded Knobs
- (2) M6 Wing Nuts
- (3) Allen Keys
- (1) Butyl Tape Roll

### TOOLS REQUIRED

---

- 2.5mm,3mm Allen Keys
- Cutter/Utility Knife

**STEP 1**



Slide (1) side rail mounted clamps to the front side rail.

Repeat this step for the opposite front side rail.

**STEP 2**



Connect the front and rear side rails together using (1) side rail joining clamp. Tighten the knobs, then tighten the (4) Allen bolts once the side rails are tight to each other.

Repeat this step for the opposite side rail.

**STEP 3**

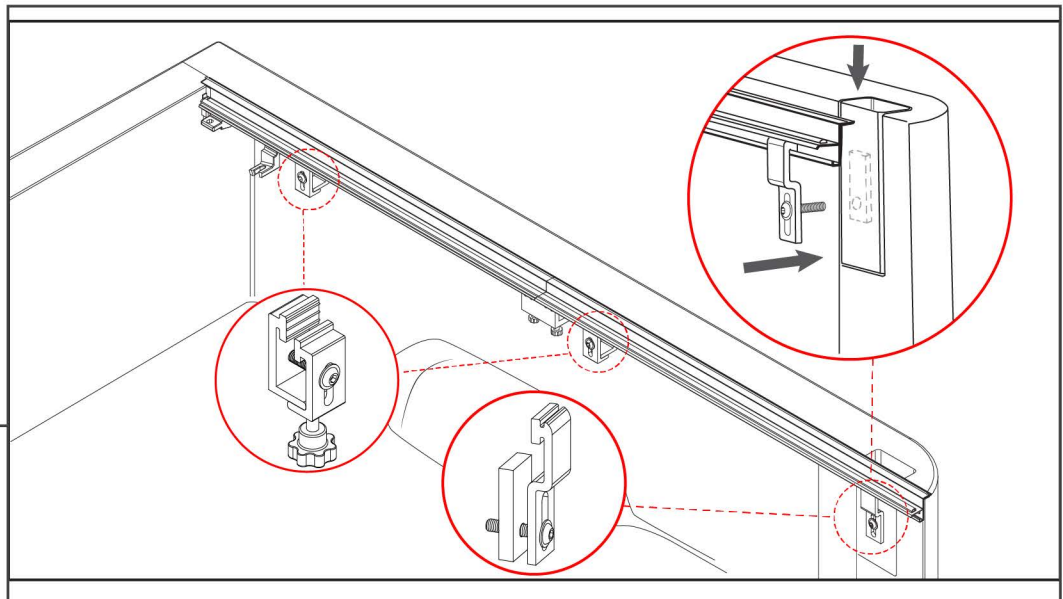


Place the side rail assembly to the vehicle bed rail. Secure the side rail to the vehicle bed rail using (3) bed rail mounted clamps, (3) M8 thumbscrews, and (3) M8 x 45mm Allen bolts. Repeat this step for both side rail.

\*\*Bed Liners, if your vehicle has a bed liner, trimming of the bed liner may be required for the bed rails to fit correctly. Trim the liner at the bulk head so that the bed rail sits flush against the bulkhead.

\*\*Reference Step 3A and Step 3B for alternate mounting solutions depending on application.\*\*

**STEP 3A**

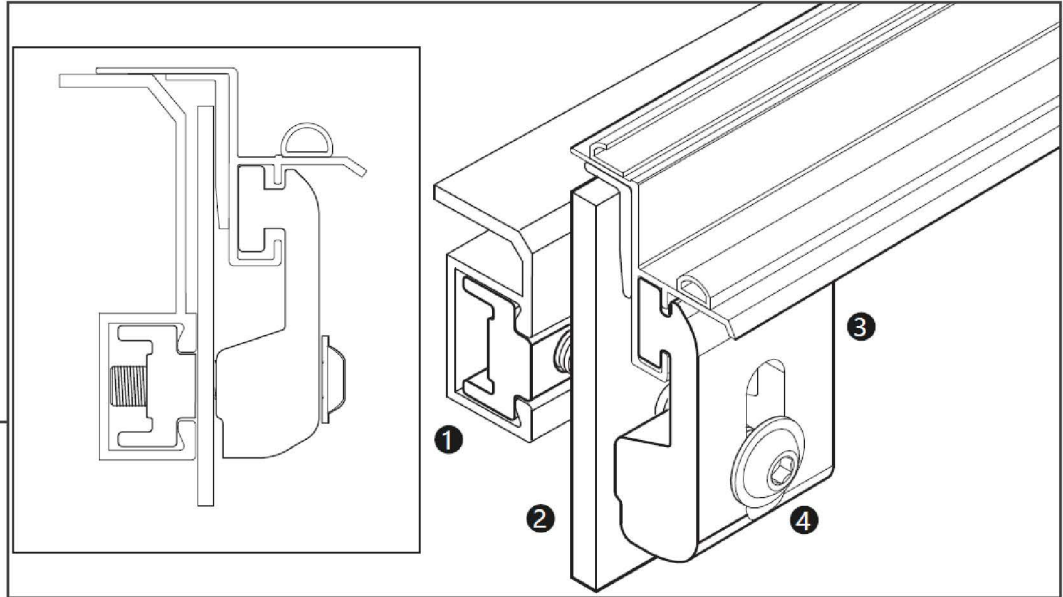


Silverado (2014-2018)

(3) Clamps will be used on each side of this application.

Note: The hardware used at each location. Repeat this step for both side rail.

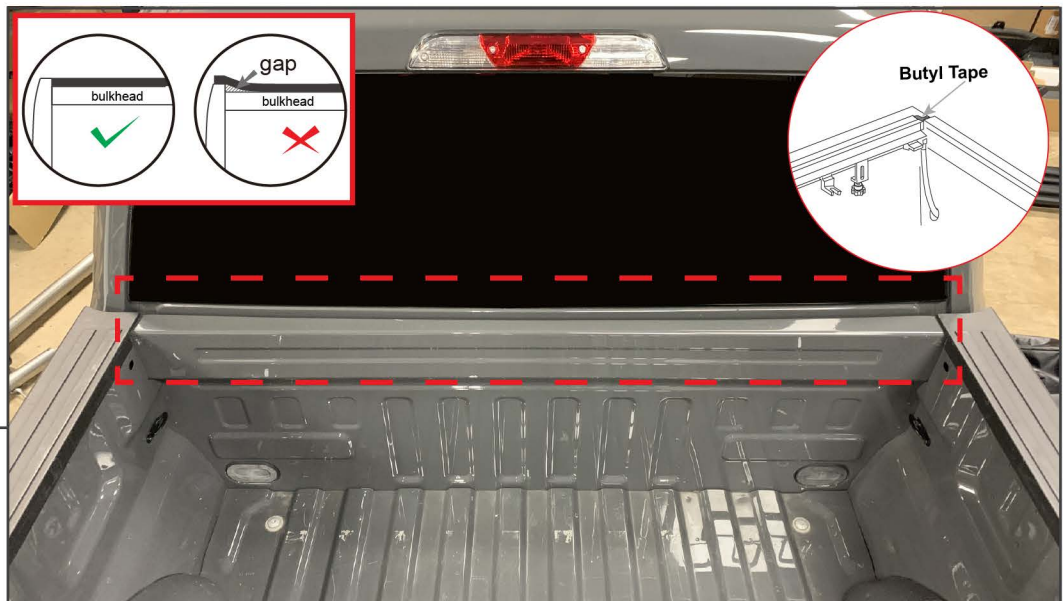
**STEP 3B**



Tacoma with utility rail.

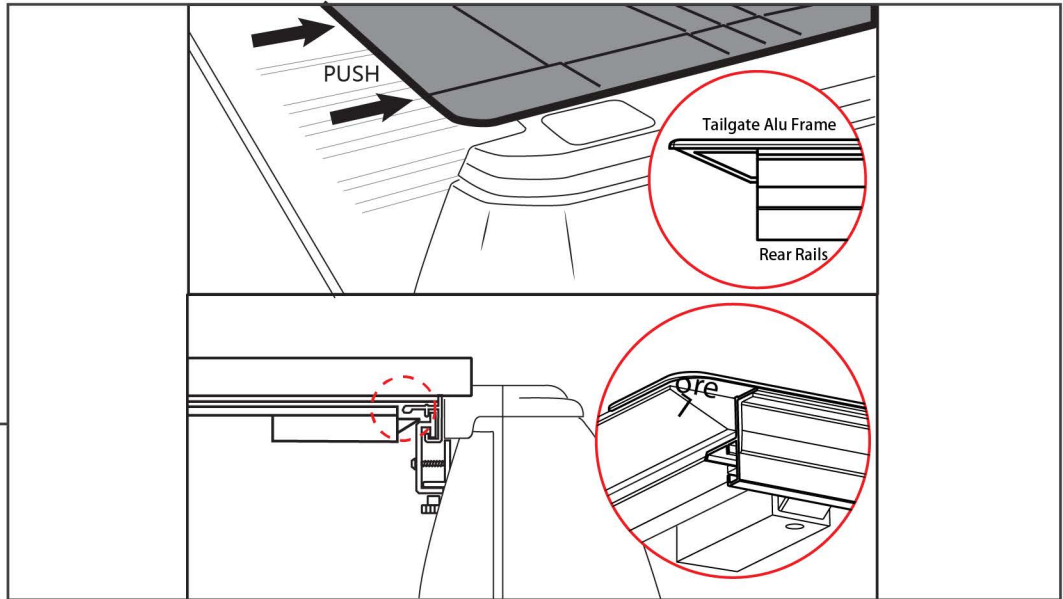
Vehicles with utility rails, (1) place the threaded sliders into the rail. (2) Attach the aluminum panel to the utility rail. (3) Place the tonneau cover rail between the aluminum panel and the clamp. Each side will use (3) clamps for this application. Repeat this step for both side rail. Loosely secure hardware before fully tightening it in Step 12.

**STEP 4**



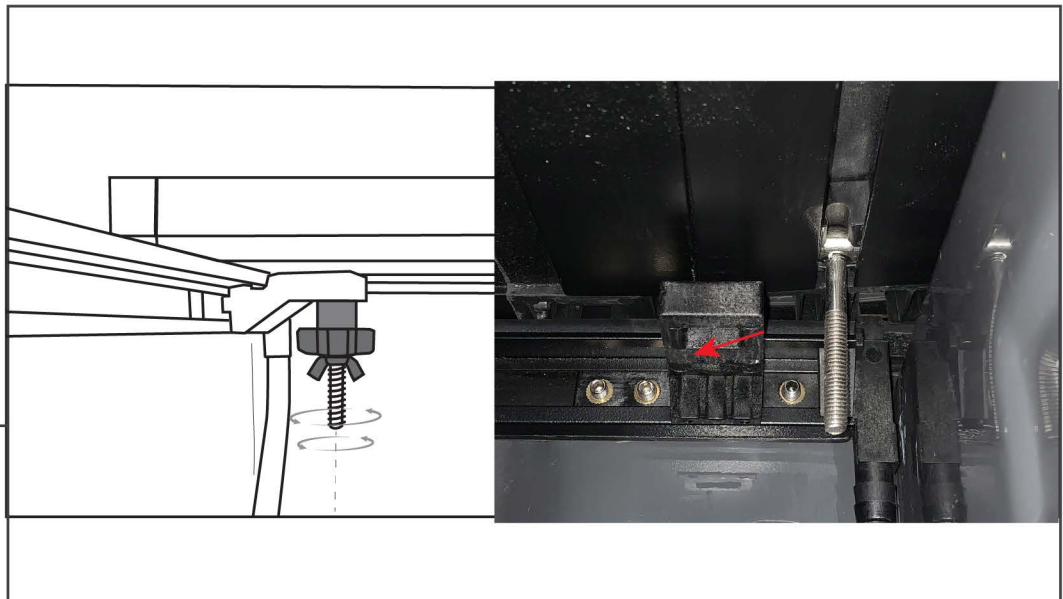
Place the bulkhead gasket to the vehicle bulkhead, trim to size as necessary. For increased water resistance, adhere the included butyl tape along the outer corners of the tonneau cover.

**STEP 5**



Unfold the tonneau cover to ensure proper fit. Push the cover towards the bulkhead and align the cover with the rails.

**STEP 6**



Place the tonneau cover onto the side rails, ensuring the attached studs pass through the side rail cutout. Tighten the tonneau cover to the side rails using (1) M6 knob and (1) M6 wing nut per side.



**STEP 7**

Secure the strap mounting brackets to the tonneau cover using (3) strap mounting bracket Allen screws. Tighten until secure, do not over-tighten.

Repeat this step to the opposite side of the tonneau cover.



**STEP 8**

Adhere (1) tonneau cover bushing to the strap mounting bracket using the attached double sided tape.

Repeat this step to the opposite mounting bracket.

**STEP 9**



Hold the tonneau cover upwards using the attached straps. Secure the prop rod ball flange to the tonneau cover. Loosen the prop rod mount on the side rail using a 2.5mm Allen key, and adjust to allow the tonneau cover to be supported parallel to the vehicle rear window.

**Note: Ensure the prop rod ball flange is not at a harsh angle to prevent the prop rod from disconnecting.**

Repeat this step for the opposite side of the vehicle.

**STEP 10**



Connect the drain tube to the side rail fitting. Cut the vehicle bulkhead grommet to allow the drain tube to route outside between the cab and the bed.

Repeat this step for the opposite side drain tube.



---

**STEP 11**

Ensure all hardware is tight and secure. Installation is now complete.