



LOW PROFILE HARD TRI-FOLD TONNEAU COVER

INSTALLATION GUIDE

Table of Contents

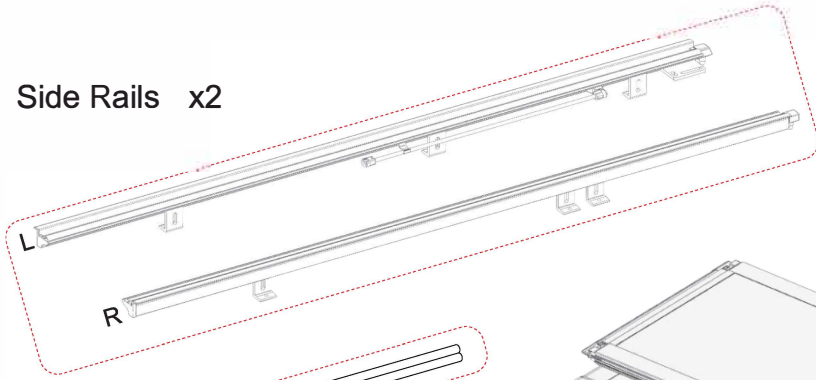
Announcements	1
Contents	2
Installation	3
Special Models Installation	4

Announcements

- ▶ Please check your pick-up truck year model and bed size before installation.
- ▶ It is recommended to install with 2 people. Clean the truck bed rails before installation to ensure a better fit between the product and the bed.
- ▶ Please check the outer packaging. If it is damaged, please check if tonneau cover is in good condition and the accessories are damaged or lost.
- ▶ Do not stack heavy objects on the cover.
- ▶ Do not stand or jump on the cover.
- ▶ When cleaning the cover, do not use hard objects to clean it, it will scratch the surface and affect the appearance.
- ▶ Please read the installation manual carefully.

1: Accessories Contents

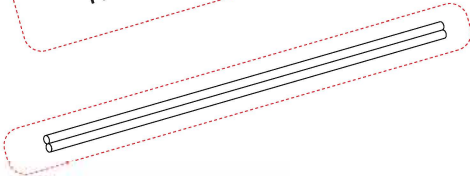
Side Rails x2



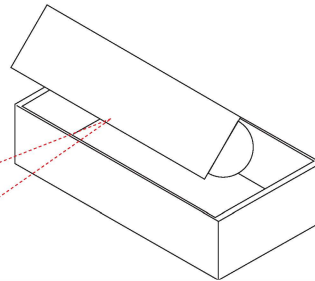
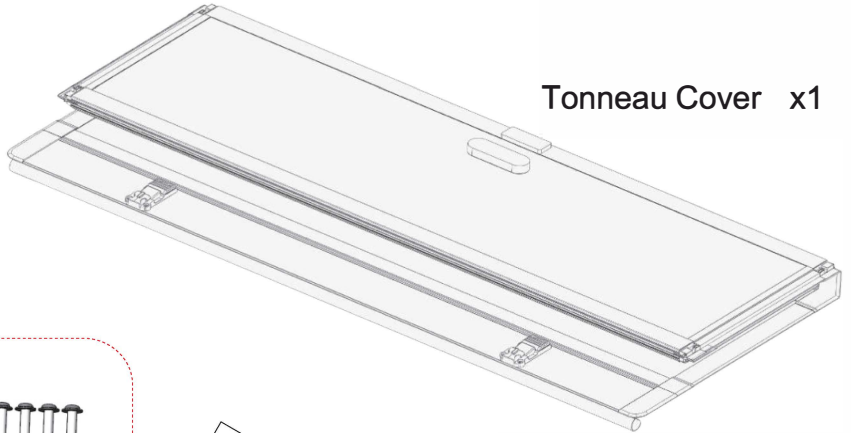
Instruction x1



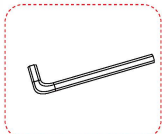
Drain Tubes x2



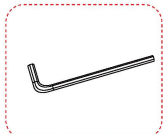
Tonneau Cover x1



Accessory Box x1



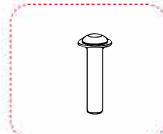
5.0mm
Allen Key
x1



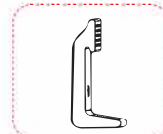
2.5mm
Allen Key
x1



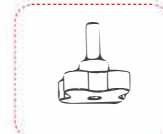
T-shaped
assembly
x2



M8*40
Allen Bolts
x6



Clamp
x6



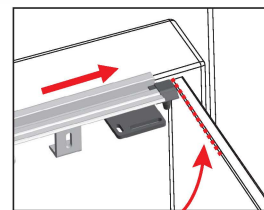
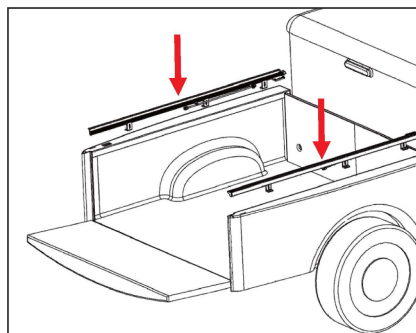
Thumb
Screw
x6



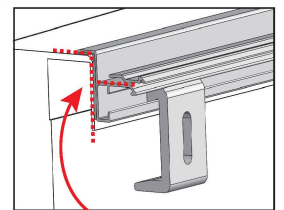
Weather-
stripping
x1

2: Installation

- 1 Place the left and right side rails against the upper and inner sides of the bed, the extended portion of the side rails will face forward.

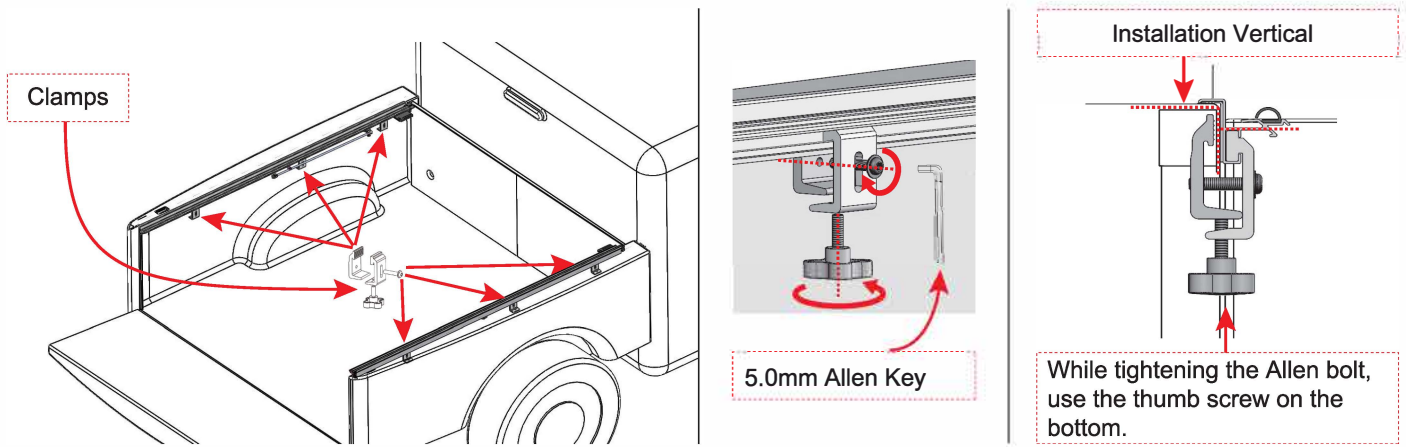


Fits with the front end

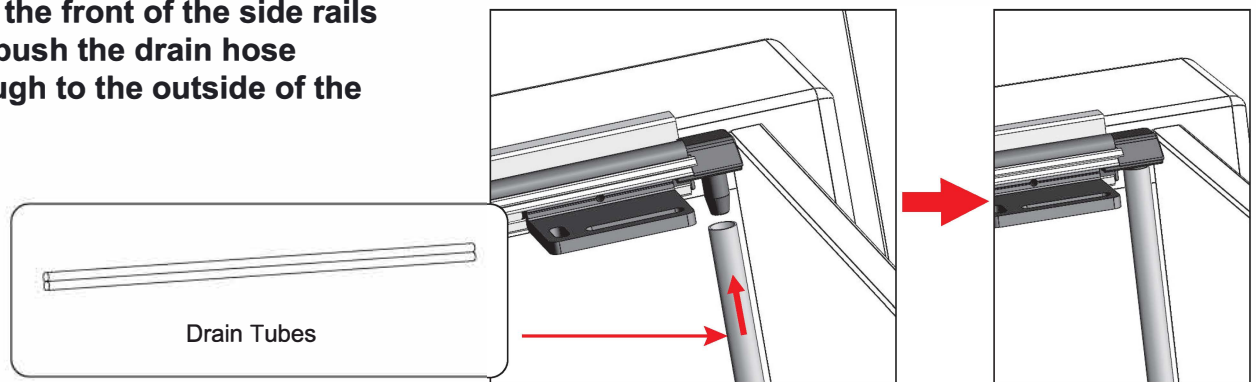


Flat to the inside, make
sure the mounting bar
is vertical.

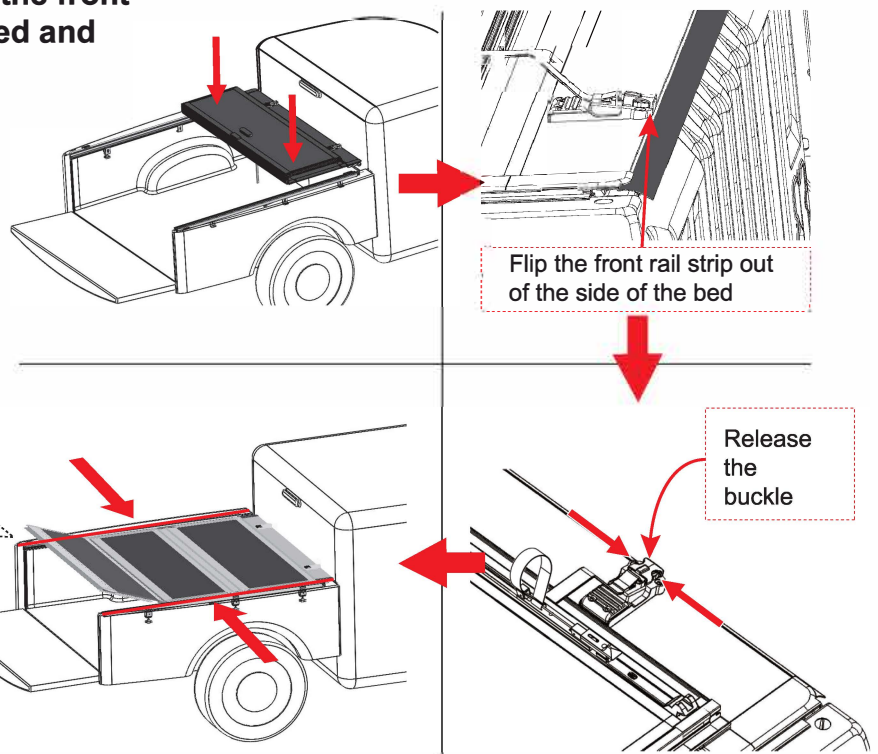
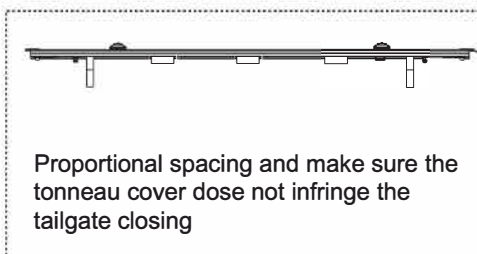
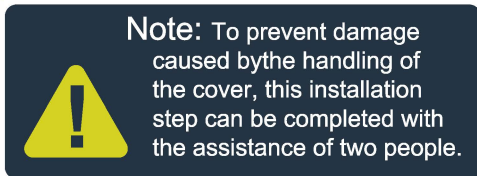
2 Using the supplied clamps and Allen bolts, clamp the rails to the bed.



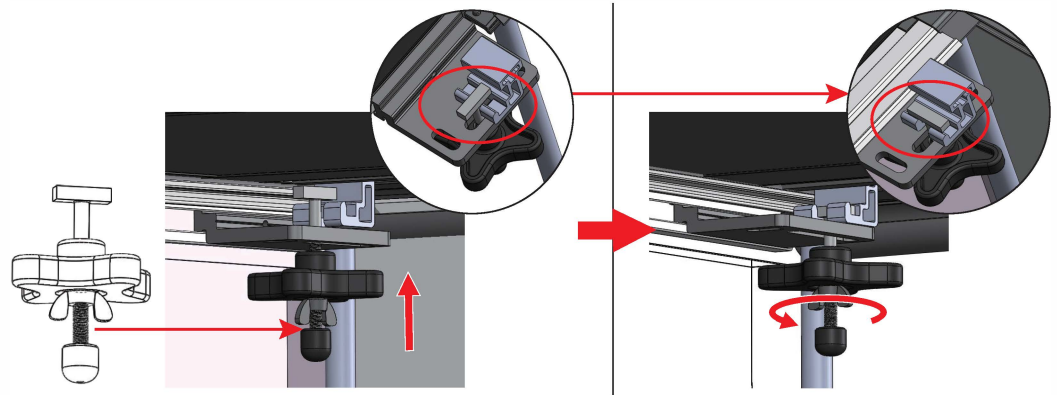
3 Install the supplied drain tubes onto the front of the side rails and push the drain hose through to the outside of the bed.



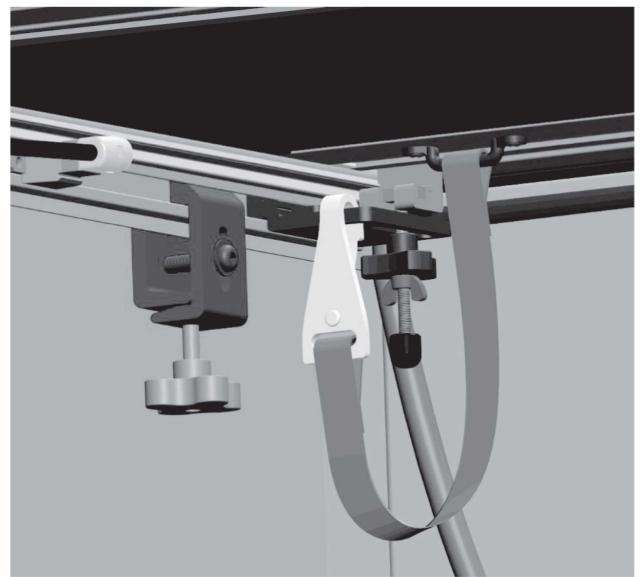
4 Place the cover on the bed, make the front of the cover flush with the front bed and evenly within the bed sides.



- 5** Pass the T-shaped screw assembly through the waist-shaped groove, rotate it 90 degrees and put it into the upper hook, then rotate the handle until it is tightened, and then tighten the thumb screw upwards.



- 6** Take out the safety hook and hook it on the side rail fixing block.



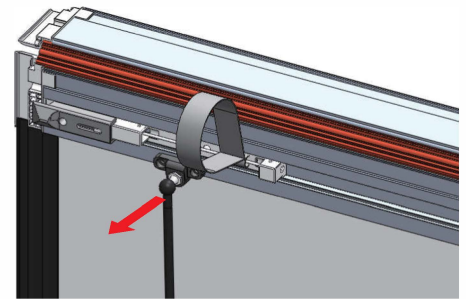
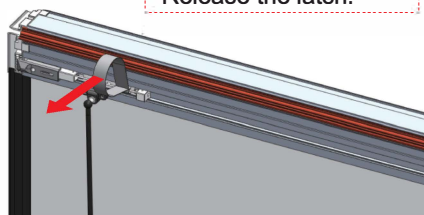
Note: This is a safety anti-decoupling device, which must be hooked in the side rail slot, and can only be taken out after the cover is removed.

- 7** Release the latch, fold up the cover and stand up, securing the prop rods.

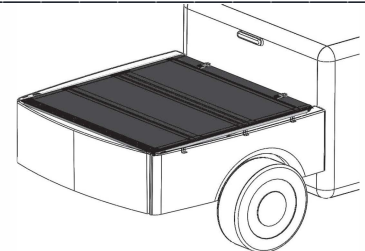
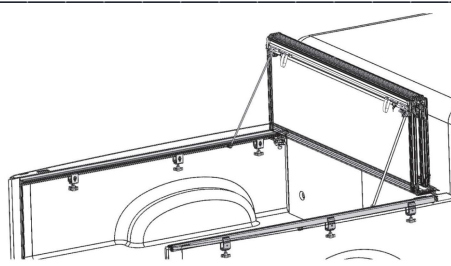


Use the butyl rubber to fill gaps between cover and bed sides to increase water resistance.

Release the latch.



Note: It is forbidden to drive in the standing state.



3: Special Model Installation

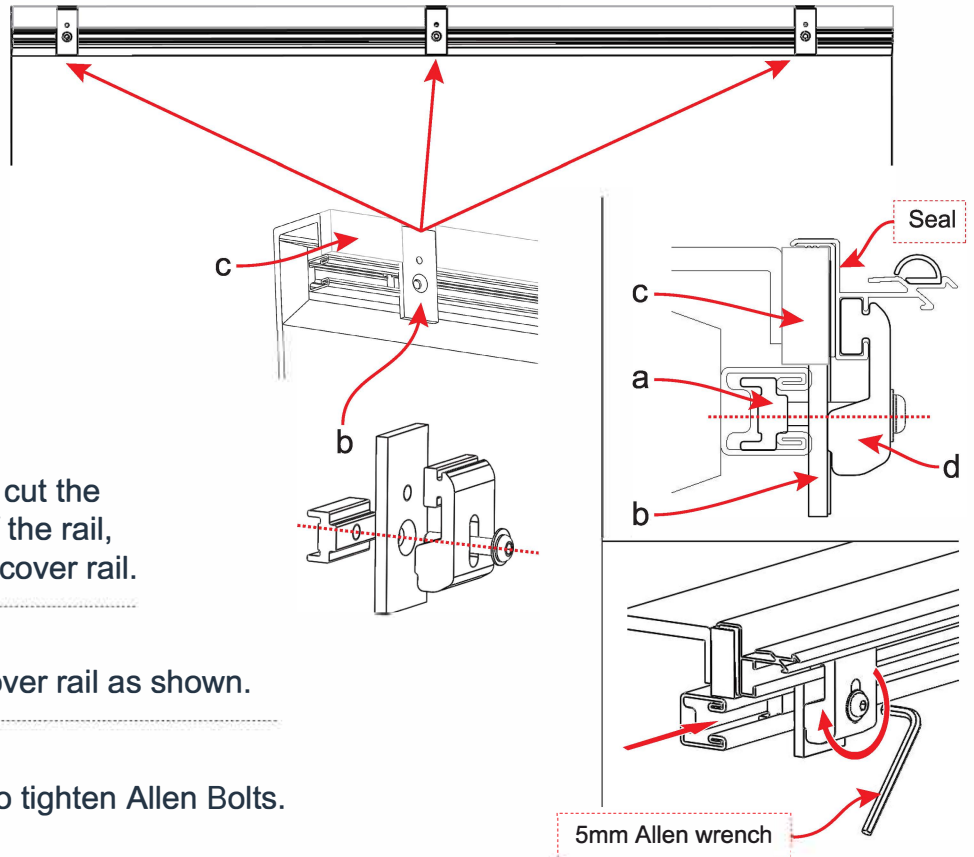
A *TOYOTA TACOMA* CLAMP INSTALLATION

STEP 1.
Slide aluminum block
"a" into the track.

STEP 2.
Place "b" on the tool track, cut the
rail seal "c" to the length of the rail,
glue the rail seal "c" to the cover rail.

STEP 3.
Install rail clip "d" on the cover rail as shown.

STEP 4.
Use a 5mm Allen wrench to tighten Allen Bolts.

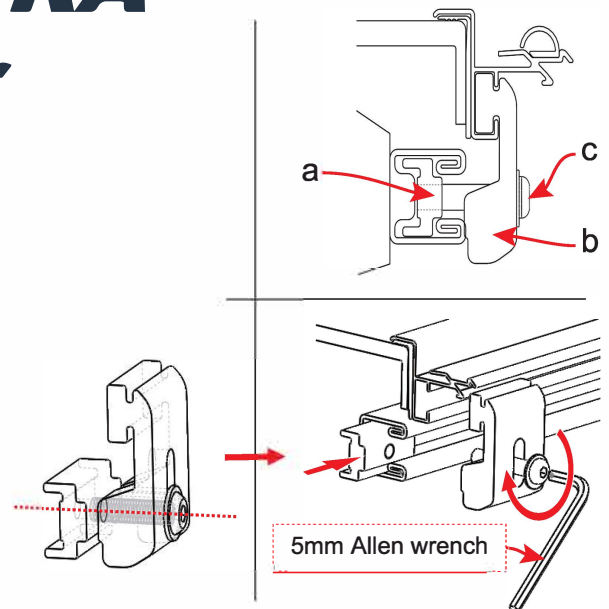


B *TOYOTA TUNDRA* *Jeep Gladiator* CLAMP INSTALLATION

STEP 1.
Insert the "a" piece from the side into the rails
on both sides of the bed.

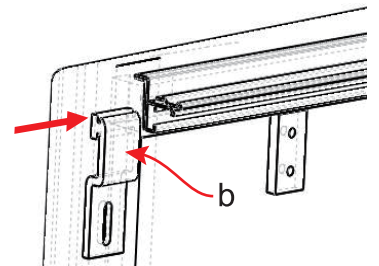
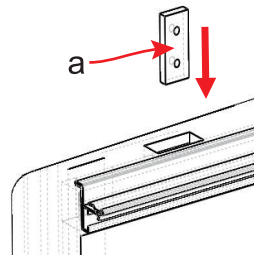
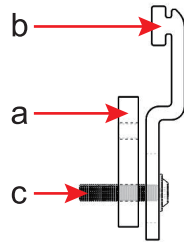
STEP 2.
Move the "b" piece to the "a" piece and fix it at
the same time.

STEP 3.
Tighten the "C" screw with a 5mm Allen wrench.



CHEVROLET

CLAMP INSTALLATION



STEP 1.

Install block "a" into stake hole in the rear of the truck bed. Position with clamp "b" and tighten screw "c" by 5mm allen wrench.

STEP 2.

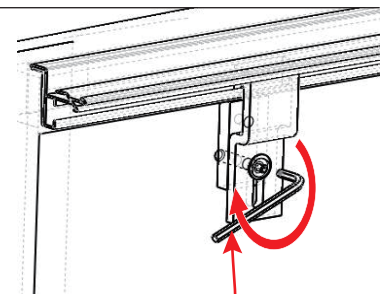
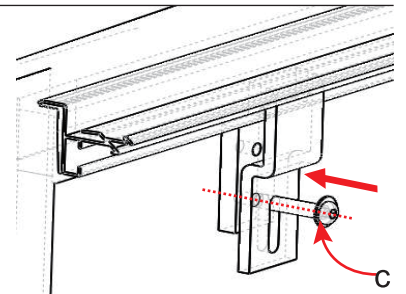
Slide the fixing part "b" in from the side, then insert the hexagon screw "c" into the screw hole, and tighten the hexagon screw with a 5mm wrench to fix it.

STEP 3.

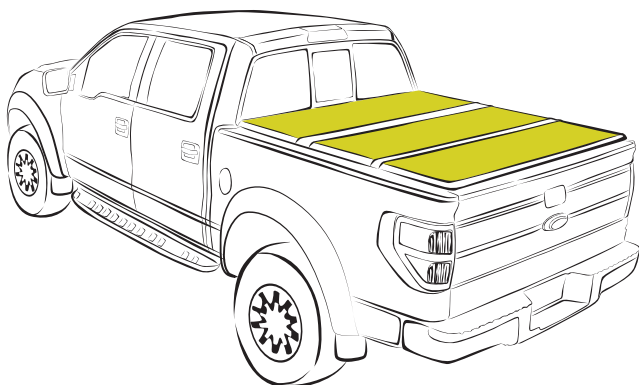
Install otherside the same as step 1、 2.

STEP 4.

Follow standard rear clamp installation for adjustment.



5mm Allen wrench



IMPORTANT NOTICE

While driving, cover must be completely flat and secure with all four latches in the closed position or completely folded up (all panels) and secured at the cab. **DO NOT DRIVE** with cover in partially opened position.