

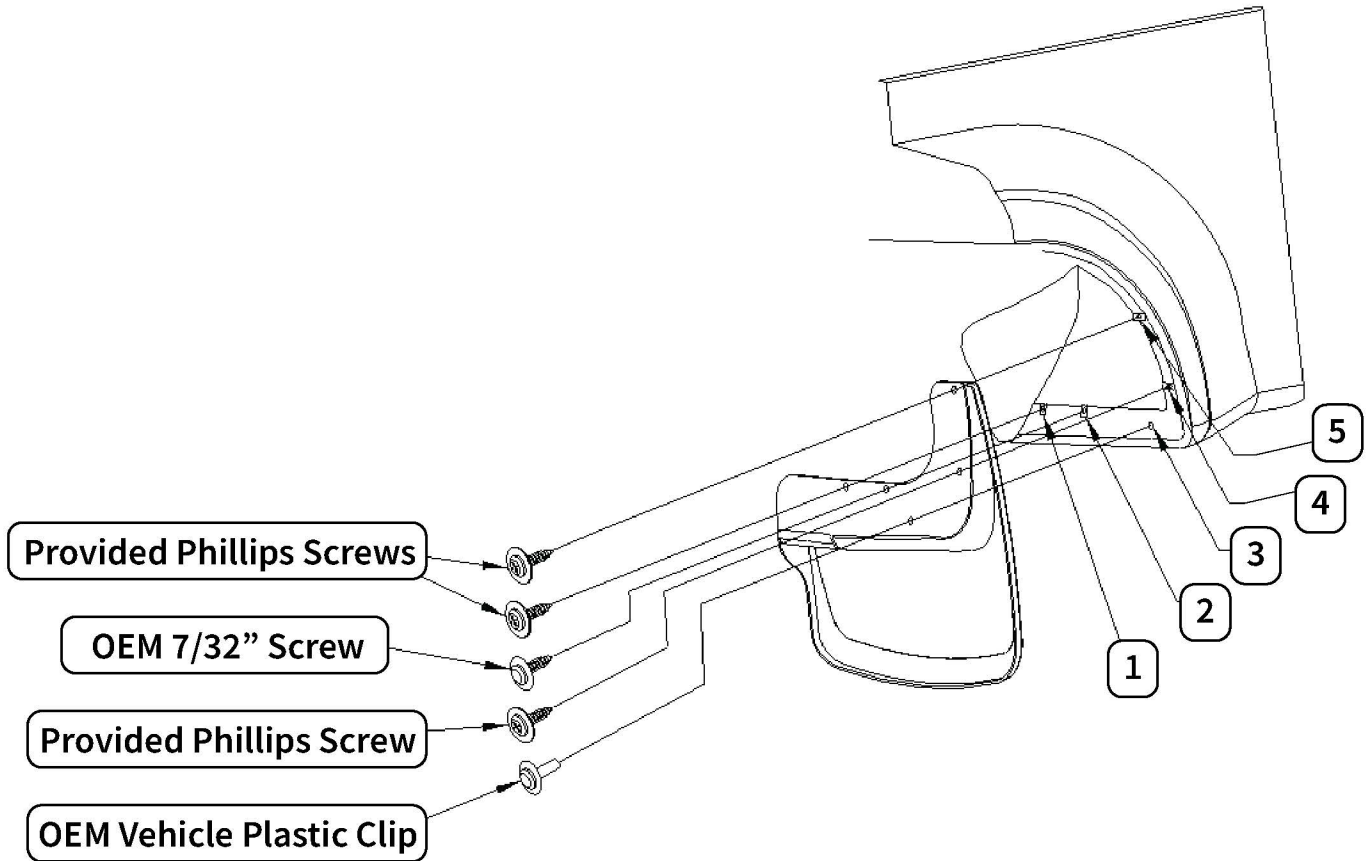
Contents

- (1) LH Mud Guard
- (1) RH Mud Guard
- (6) Phillips Screws
- (6) Screw Clips

Tools Required

- Phillips Screwdriver
- 7/32" Socket
- Ratchet
- Panel Removal Tool

Rear Mud Guard Installation Instructions 2017-2022 F-250/F-350 w/ Dual Rear Wheels



1. Thoroughly clean and dry the vehicle in preparation of mud guard installation.
2. Remove the (4) plastic clips and (1) 7/32" screw from the vehicle (See diagram, # 1, 2, 3, 4, & 5).
Note: Keep the original hardware from locations #2 & #3.
3. Install (3) provided screw clips over the previous plastic clip holes (See diagram, #1, 4, & 5).
4. Align the mud guard to the vehicle, and secure into place using (3) provided Phillips screws into the installed screw clips (See diagram, #1, 4, & 5).
5. Re-install the (2) original hardware into holes #2 & #3.