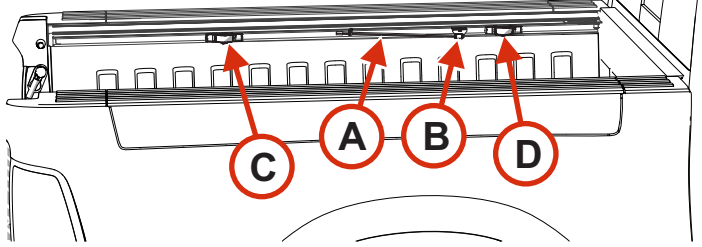


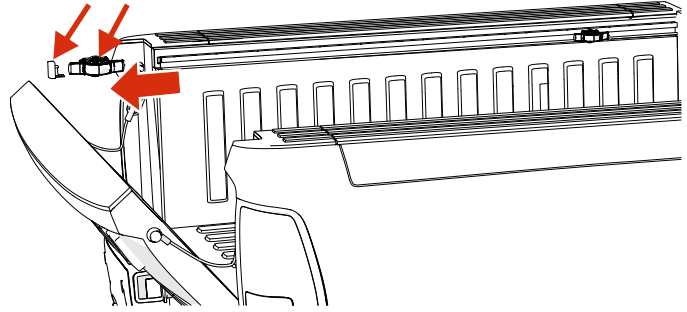
Ram Box Rail Installation

Install these first

- 1** The folding cover prop rod (A) and prop rod bracket (B) will conflict with the tie-down cleats (C+D). If a tie-down cleat is needed forward in the bed it can remain in the front (D). Otherwise the tie-down cleats need to be removed for rail installation.



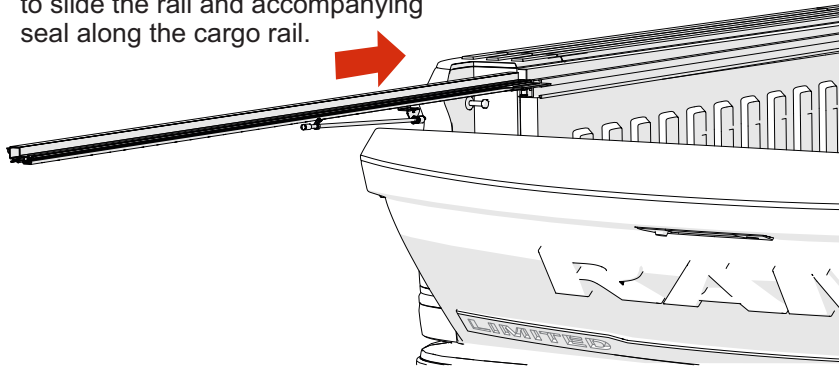
- 2** Remove the cargo rail end caps and tie-down cleats.



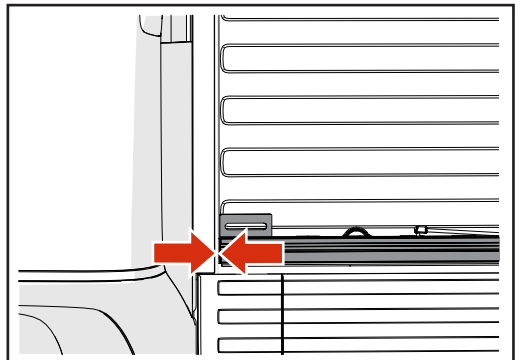
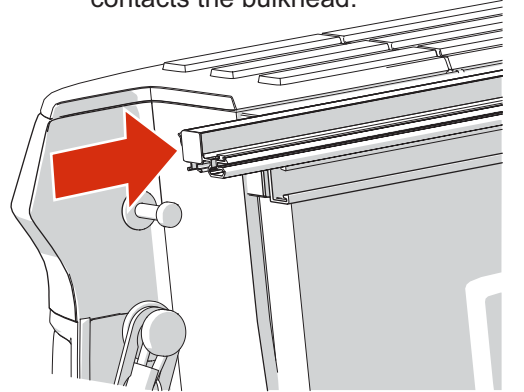
- 3** Slide the BAKFlip rails into the top of the cargo rails with the slotted bracket in front and on the inside of the truck bed.

The BAKFlip rails use the rounded clip ends to spring into the cargo rail groove.

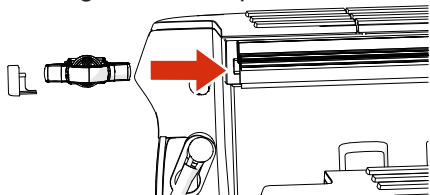
NOTE: Using soapy water will help to slide the rail and accompanying seal along the cargo rail.



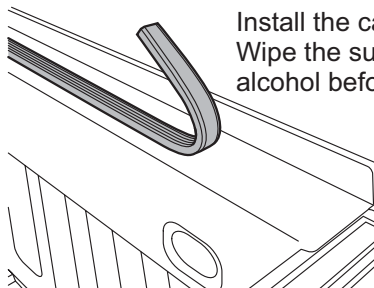
- 4** Slide the BAKFlip rails forward until the foam seal contacts the bulkhead.



- 5** Replace the tie-down cleats and the cargo rail end caps.



- 6** Install the cab/bulkhead seal. Wipe the surface with isopropyl alcohol before applying.



Return to step 8 of the standard installation instructions