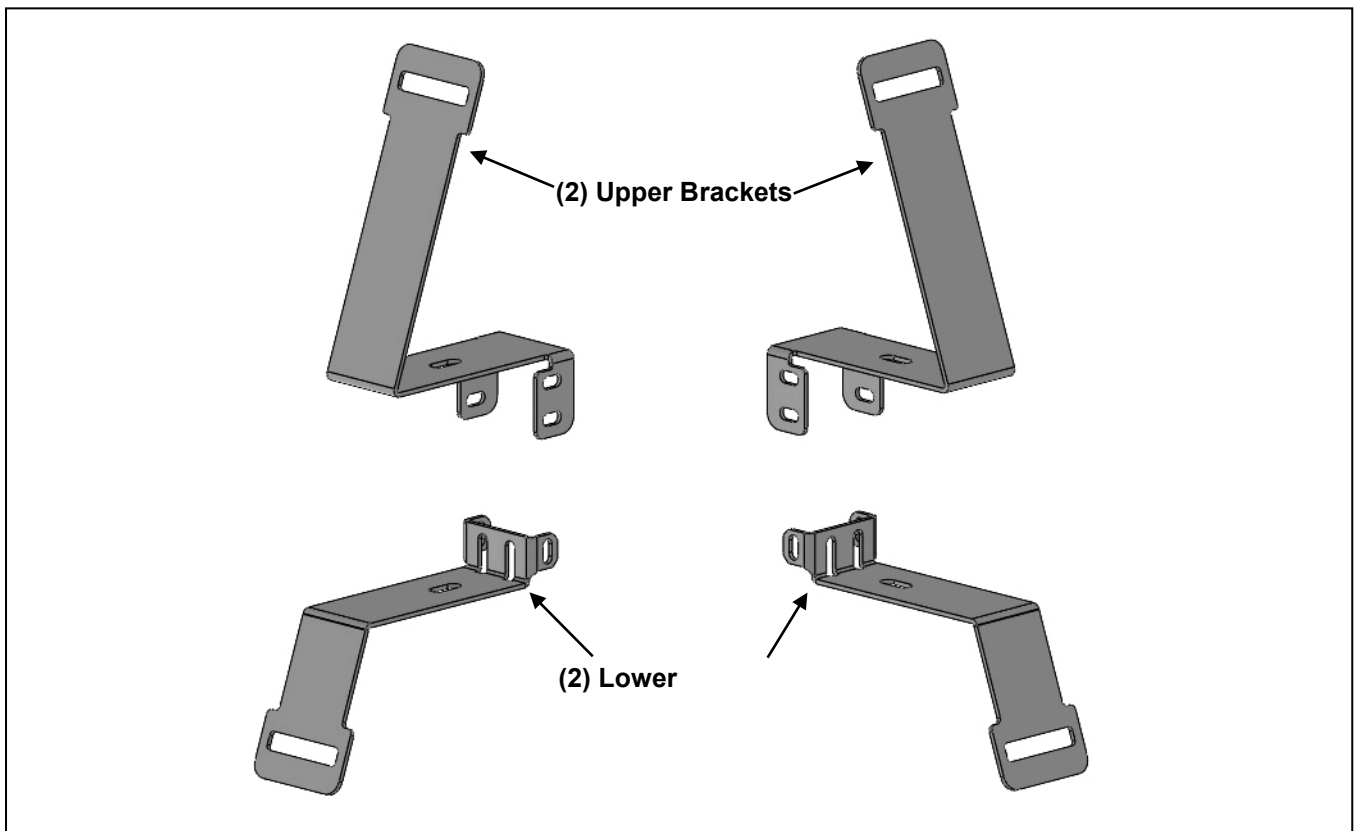


**J163318 – Barricade - HD Roof Rack Traction Board Mount Kit for Barricade HD Hard Top Roof Rack
J142019 Only (18-22 Jeep Wrangler JL)**

PARTS LIST:

2	Upper Mounting Brackets	4	8mm x 24mm OD x 2mm Flat Washers
2	Lower Mounting Brackets	2	8mm Nylon Lock Nuts
2	Nylon Velcro Strips with buckle	2	Plastic 8mm Nut Caps
2	3mm Double Slot Spacers	4	6mm x 20mm Hex Bolts
4	55mm x 25mm x 2mm Adhesive Foams Strips	4	6mm x 20mm T-Bolts
2	10mm x 18mm OD x 50mm Spacer Tubes	12	6mm x 18mm OD x 1.6mm Flat Washers
2	10mm x 18mm OD x 25mm Spacer Tubes	8	6mm Lock Washers
2	8mm x 65mm Button Head Bolts	8	6mm Hex Nuts
2	8mm x 50mm Button Head Bolts	1	5mm Hex Wrench



PROCEDURE: REMOVE CONTENTS FROM BOX. VERIFY ALL PARTS ARE PRESENT. READ INSTRUCTIONS CAREFULLY BEFORE STARTING INSTALLATION. ROOF RACK INSTALLATION REQUIRED.

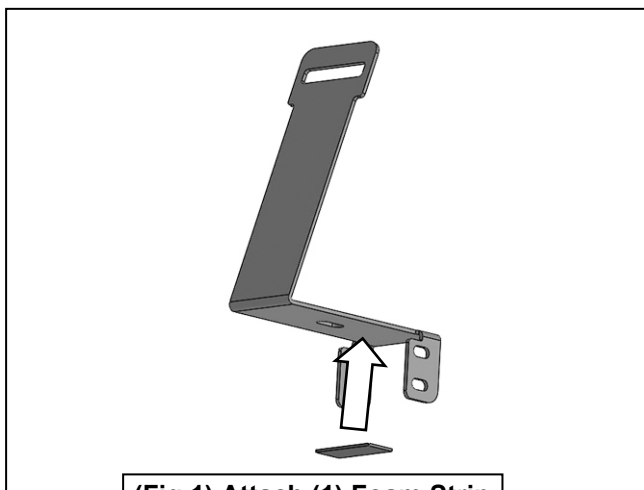
1. Start installation on desired side of the vehicle. Apply the Adhesive Foam Strips to the Upper and Lower Brackets, **(Figures 1 & 2)**.
Select (2) 6mm T-Bolts. Insert the Bolts into the front channels inside of the roof rack, **(Figure 3)**. Repeat this **Step** to insert (2) 6mm T-Bolts into the rear channels of the roof rack. **NOTE:** For platform racks, temporarily remove the (2) center crossbar brackets. Measure the distance between the handle on the traction board and set the 6mm T-Bolts the same distance as the handles. Reattach the crossbar brackets when the (4) 6mm T-Bolts are inserted. **(Figure 5)**
2. Select the (2) Lower Brackets. Attach Each Lower Bracket to (2) 6mm T-Bolts with (4) 6mm Flat Washers, (4) 6mm Lock Washers and (4) 6mm Hex Nuts, **(Figure 4)**. Do not tighten hardware. **NOTE:** For platform racks with connected front and center crossbar brackets, use the 3mm Double Slot Spacer between the roof rack rail and the Lower Bracket, **(Figure 6)**.
3. Select the (2) Upper Brackets. Determine which slots the Upper Brackets will be attached to. For platform racks, attach using the lower slots. For basket racks, use the upper slots. Attach the (2) Upper Brackets to the (2) Lower Brackets with (4) 6mm Hex Bolts, (8) 6mm Flat Washers, (4) 6mm Lock Washers and (4) 6mm Hex Nuts, **(Figure 7)**. Do not tighten hardware.

J163318 – Barricade - HD Roof Rack Traction Board Mount Kit for Barricade HD Hard Top Roof Rack J142019 Only (18-22 Jeep Wrangler JL)

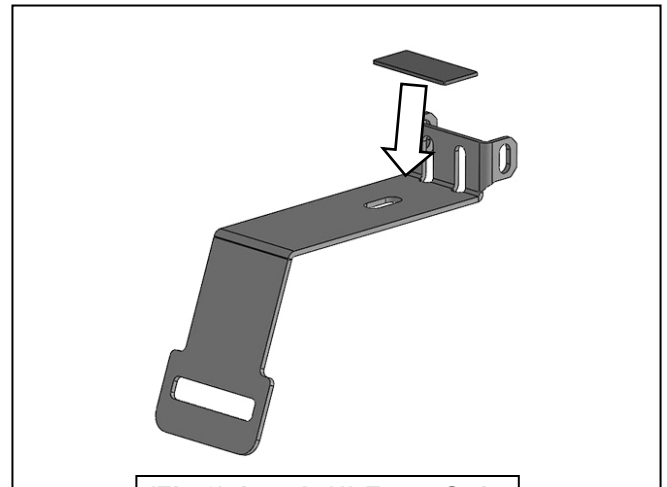
4. For platform racks, use the (1) 8mm x 65mm Button Head Bolts, (2) 8mm Flat Washers, (1) 10mm x 50mm Spacer Tube, (1) 8mm Nylon Lock Nut and (1) Plastic Nut Cap, **(Figure 8)**.
5. For basket racks, use the (1) 8mm x 50mm Button Head Bolts, (2) 8mm Flat Washers, (1) 10mm x 25mm Spacer Tube, (1) 8mm Nylon Lock Nut and (1) Plastic Nut Cap, **(Figure 8)**. Do not tighten hardware.
6. Level and tighten all hardware.
7. Insert (1) Nylon Strap into the bottom slot in each of the Lower Brackets and then through the top of the Upper Brackets, **(Figure 9)**. Place traction board, (not included) onto the Brackets and fasten the buckle. Velcro the Straps at the traction board handles to secure.
8. Do periodic inspections to the installation to make sure that all hardware is secure and tight.

To protect your investment, Do not use any type of polish or wax that may contain abrasives that could damage the finish. Mild soap may be used to clean the Brackets.

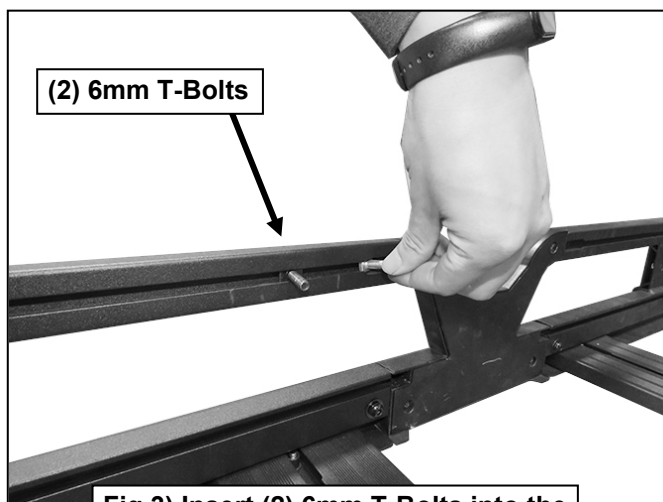
Passenger/right Side Installation Pictured



(Fig 1) Attach (1) Foam Strip to each Upper Bracket



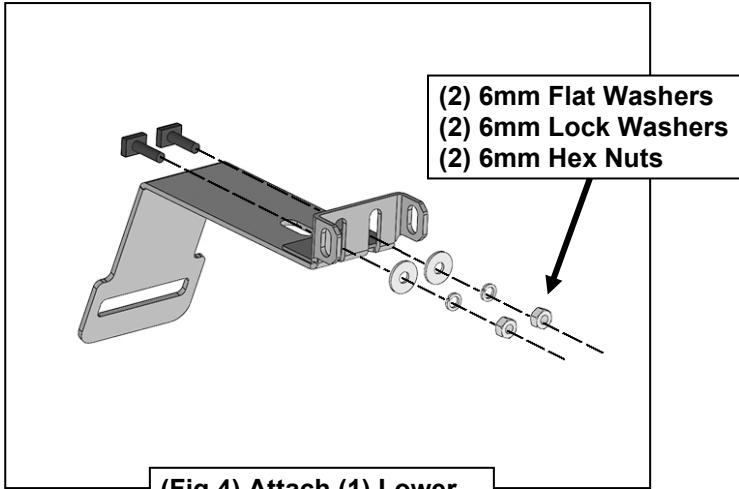
(Fig 2) Attach (1) Foam Strip to each Lower Bracket



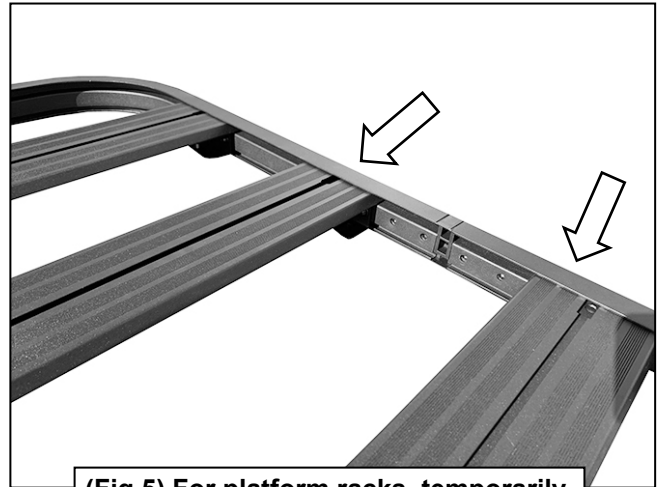
(2) 6mm T-Bolts

Fig 3) Insert (2) 6mm T-Bolts into the channel in the front and back of the roof rack, (Basket rack shown)

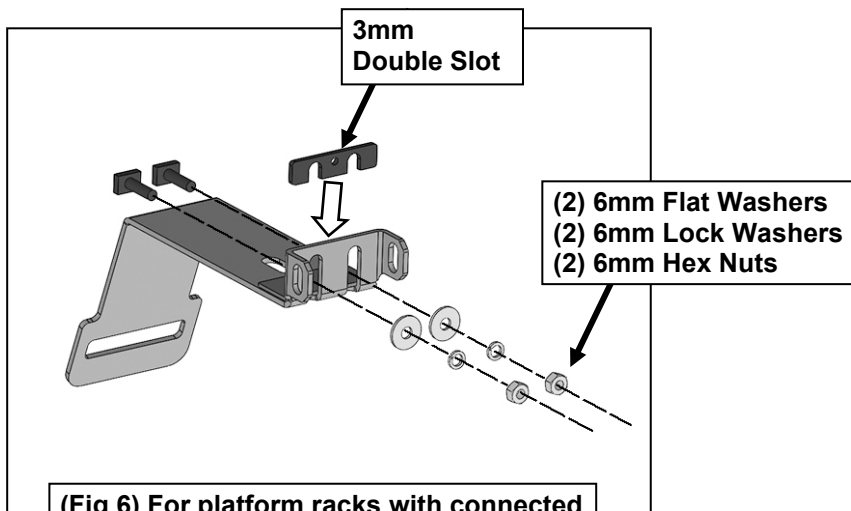
Passenger/right Side Installation Pictured



(Fig 4) Attach (1) Lower Bracket to the (2) T-Bolts

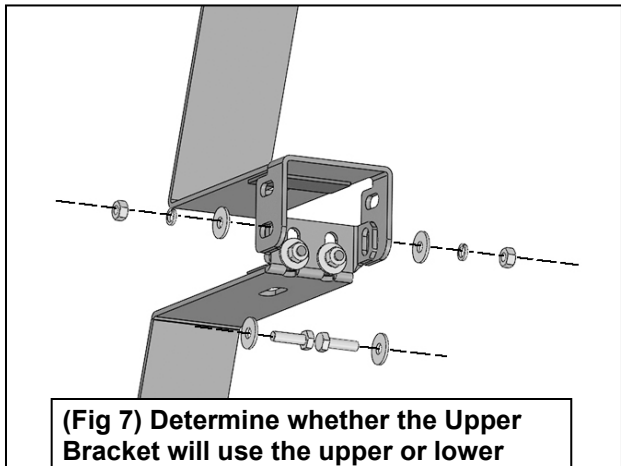


(Fig 5) For platform racks, temporarily remove the (2) inner crossbars



(Fig 6) For platform racks with connected front and center brackets, use the 3mm Double Slot Spacer to attach the Lower Brackets to the platform

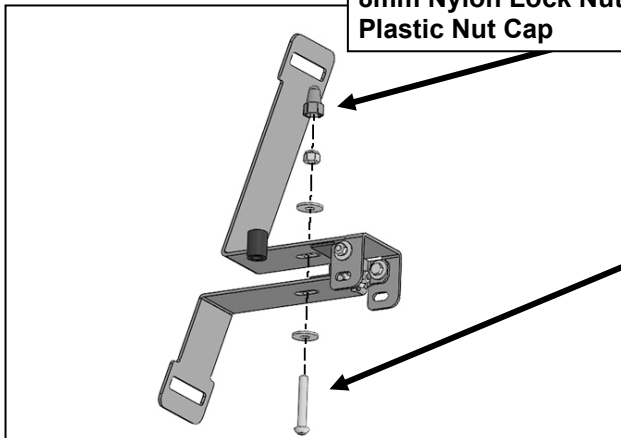
J163318 – Barricade - HD Roof Rack Traction Board Mount Kit for Barricade HD Hard Top Roof Rack J142019 Only (18-22 Jeep Wrangler JL)



(Fig 7) Determine whether the Upper Bracket will use the upper or lower slots. For platform racks, the lower slots will be used. For basket racks, the upper slots will be used

**For basket racks use:
8mm x 50mm Button Head Bolt
(2) 8mm Flat Washers
10mm x 25mm Spacer Tube
8mm Nylon Lock Nut
Plastic Nut Cap**

**For platform racks use:
8mm x 65mm Button Head Bolt
(2) 8mm Flat Washers
10mm x 50mm Spacer Tube
8mm Nylon Lock Nut
Plastic Nut Cap**



(Fig 8) Determine which long 8mm Button Head Bolt to use to clamp the Brackets to the roof rack



(Fig 9) Insert (1) Nylon Strap into the bottom slot in the Lower Bracket and then through the top of the Upper Bracket. Place traction board, (not included) onto the Brackets and fasten the buckle. Velcro the Steps to secure.