

INSTALLATION INSTRUCTIONS

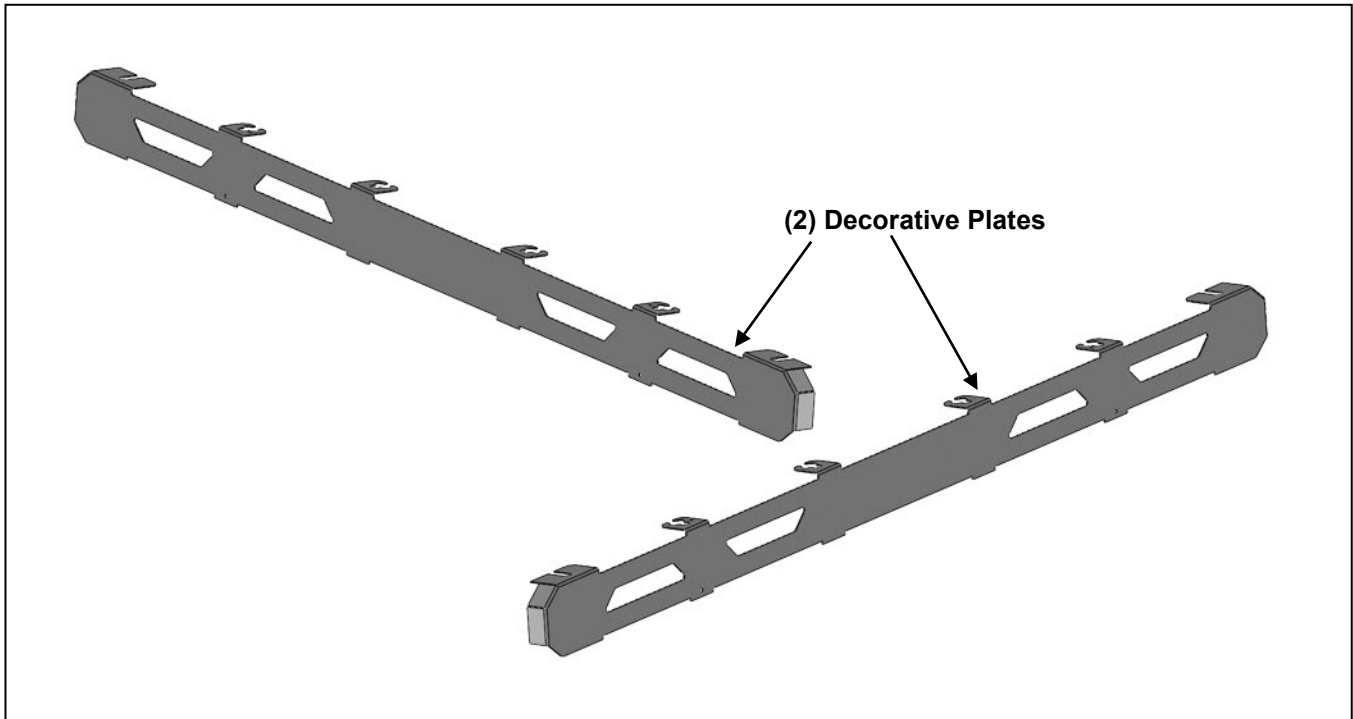
HD Roof Rack Side Plate Kit (For J142019)

2018+ WRANGLER JL

J163317

PARTS LIST:

2	Decorative Plates
2	6mm Spacer Plates
8	8mm x 36mm OD x 2.5mm Flat Washers



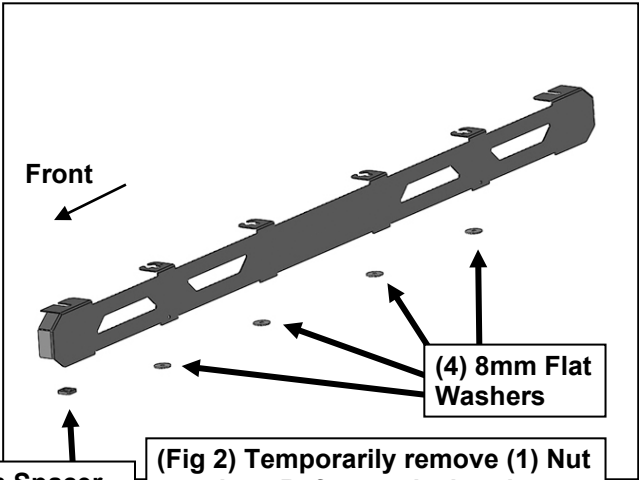
PROCEDURE: REMOVE CONTENTS FROM BOX. VERIFY ALL PARTS ARE PRESENT. READ INSTRUCTIONS CAREFULLY BEFORE STARTING INSTALLATION. PR1 PLATFORM AND PLATFORM EXTENSION INSTALATION REQUIRED.

1. Start by temporarily removing each 8mm nut and small flat washers from the top of the clamping bracket one at a time, (**Figure 1**). Slide (1) 6mm Spacer Plate onto the front clamping bracket. Slide (1) 8mm x 36mm Flat Washers onto the 2nd, 3rd, 4th and 5th clamping bracket. Replace the small flat washers onto the clamping brackets. Thread the nuts back onto the threads of the clamping brackets. **IMPORTANT:** Leave nuts loose enough to slide in the Decorative Plate.
2. Select (1) Decorative Plate. Slide the open slots onto the threads of the clamping brackets. **NOTE:** Slide the front of the Decorative Plate between the small flat washer and the Spacer Plate. Slide the 2nd, 3rd, 4th and 5th open slot in between the small flat washer and the Large 8mm x 36mm Flat Washers, (**Figures 2—8**).
3. Do periodic inspections to the installation to make sure that all hardware is secure and tight.

To protect your investment, Do not use any type of polish or wax that may contain abrasives that could damage the finish. Mild soap may be used to clean the Bumper assembly.

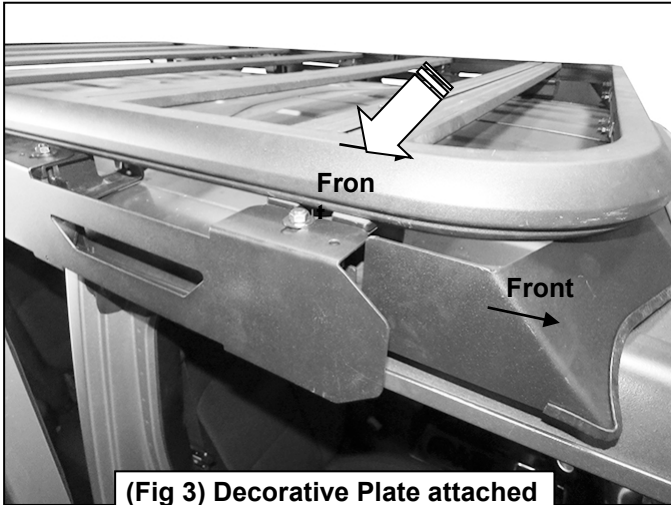


(Fig 1) Loosen all (6) 8mm Nuts on top of the clamp brackets



(Fig 2) Temporarily remove (1) Nut at a time. Before replacing the Nut, slide (1) 8mm Flat Washer under the smaller flat washers on the middle (4) brackets. Slide (1) 6mm Spacer Plate under the small flat washer on the front bracket

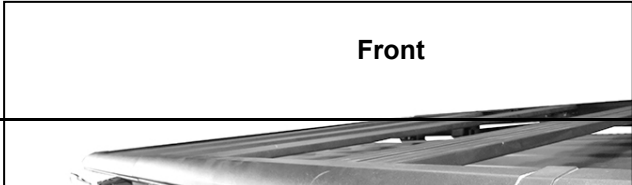
Driver Side Installation Pictured



(Fig 3) Decorative Plate attached to the front clamp bracket



(Fig 4) Decorative Plate attached to the 2nd clamp bracket



Front

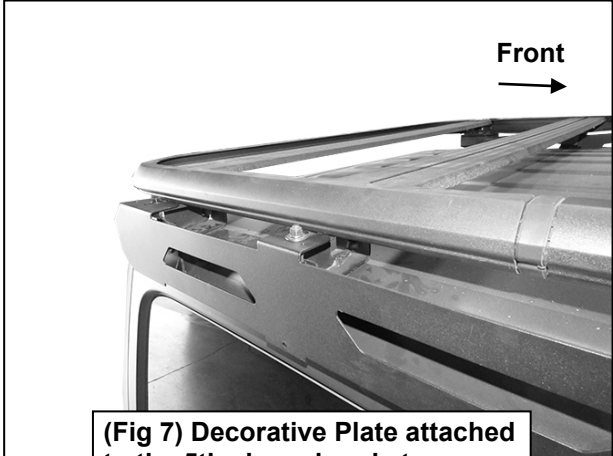


(Fig 5) Decorative Plate attached to the 3rd clamp bracket

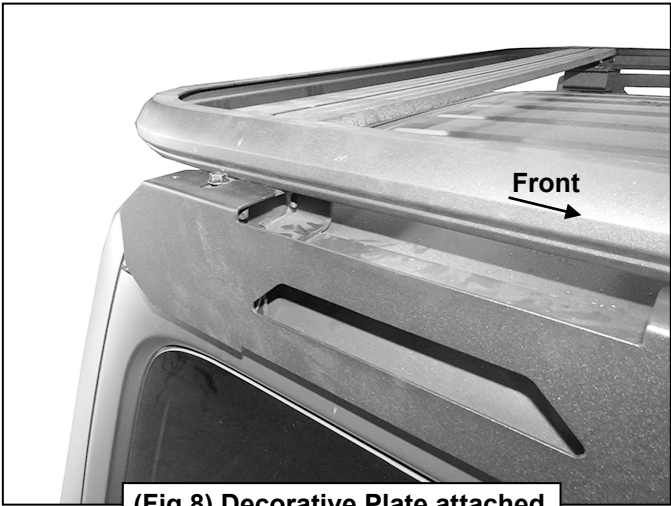
Driver Side Installation Pictured



(Fig 6) Decorative Plate attached to the 4th clamp bracket



(Fig 7) Decorative Plate attached to the 5th clamp bracket



(Fig 8) Decorative Plate attached to the rear clamp bracket