

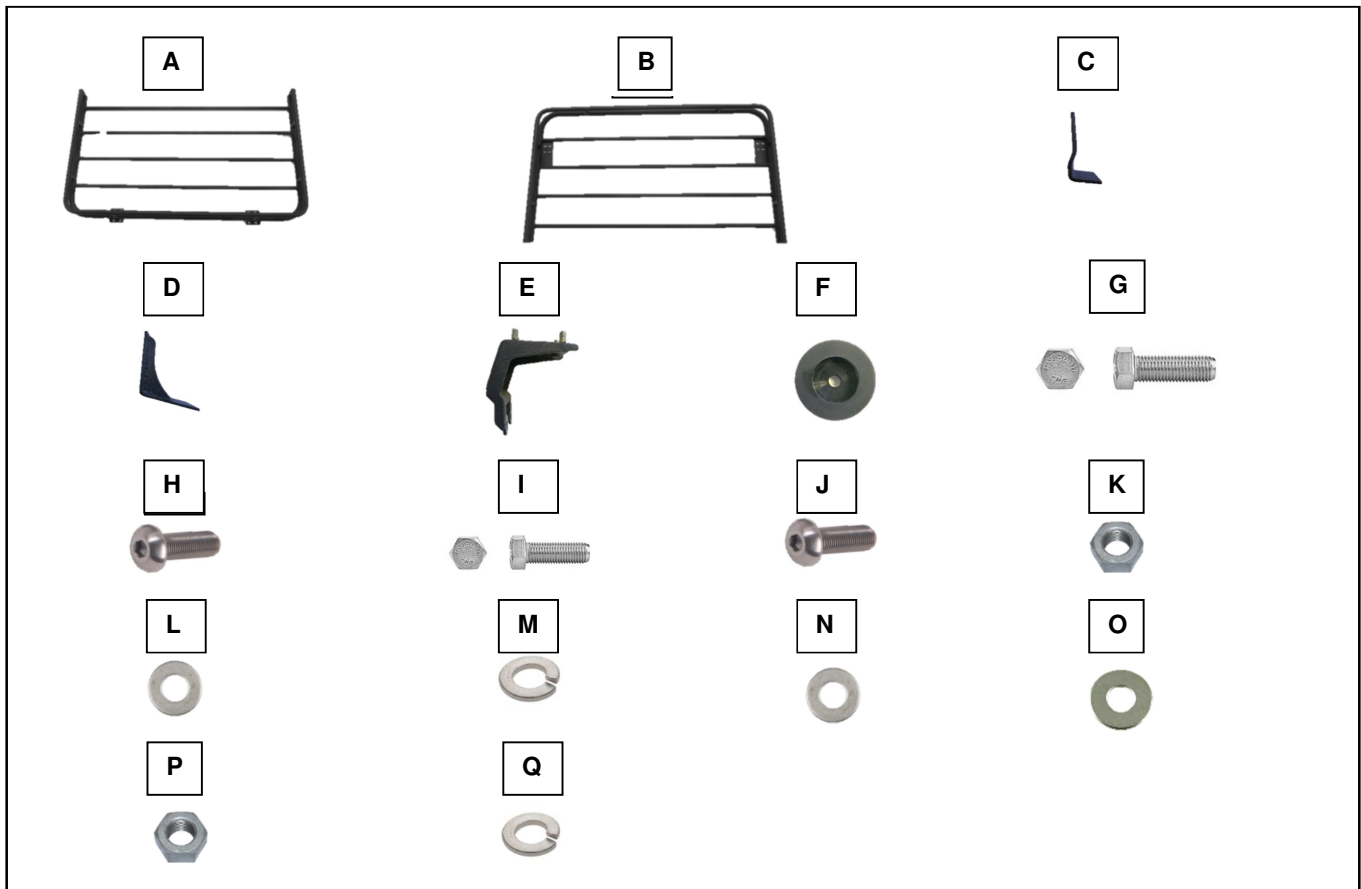
Full Length Roof Rack (2-Door) Installation Instructions FITS Jeep Wrangler JL 2018-2019 J130927

KIT INCLUDES

- A. 1 ea. Rear rack piece
- B. 2 ea. Front rack piece
- C. 2 ea. Small clamps
- D. 2 ea. Small mounting brackets
- E. 2 ea. Window hinge bracket
- F. 4 ea. Rubber spacers
- G. 8 ea. M8x1.25x25mm hex head bolts
- H. 6 ea. M8x1.25x25mm button head bolt
- I. 4 ea. M6x1.0x25mm hex head bolts
- J-1.00. 4 ea. M6x1.0x20mm button head bolt
- K. 8 ea. M8x1.25 Hex head nut
- L. 22 ea. M8 flat washer
- M. 22 ea. M8 split washer
- N. 8 ea. M6 flat washer
- O. 4 ea. M6 large flat washer
- P. 4 ea. M6 hex nut
- Q. 4 ea. M6 split washer

TOOLS NEEDED

- 13mm wrench
- 5/8 wrench
- 5/8 socket
- Ratchet
- 10mm socket
- Flat head screwdriver
- 5/32 Allen Wrench
- 3/16 Allen head key



Please take a few minutes to read and thoroughly familiarize yourself with the installation procedures outlined in this manual. Following the steps as outlined will save you time and help reduce mistakes. Once the instructions are reviewed, if you feel that you are not capable of safely installing the parts seek the help of a qualified installation expert to help you complete the job. The manufacture is in no way responsible for any personal injury or vehicle damage that may occur during the installation.

California Proposition 65 Warning!

This product may contain a chemical known to the State of California to cause cancer and birth defects or other reproductive harm. For more information go to www.P65Warnings.ca.gov.

REMOVING WINDOW HINGE COVERS

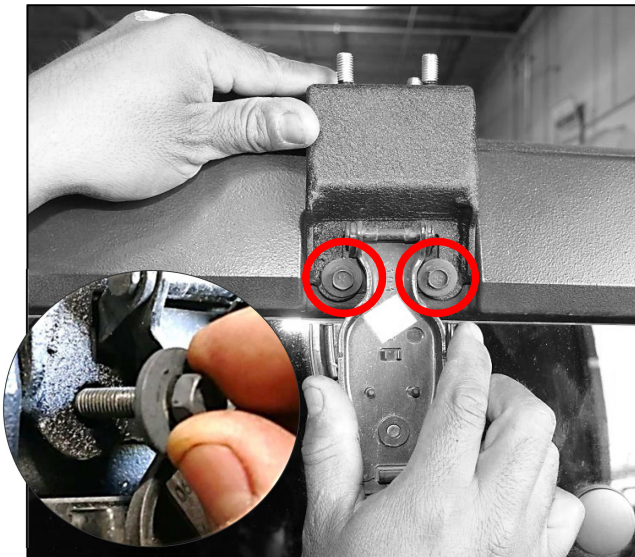


Step 1.
Using a flat head screwdriver locate and remove factory window hinge cover as shown above. Set aside for later use.



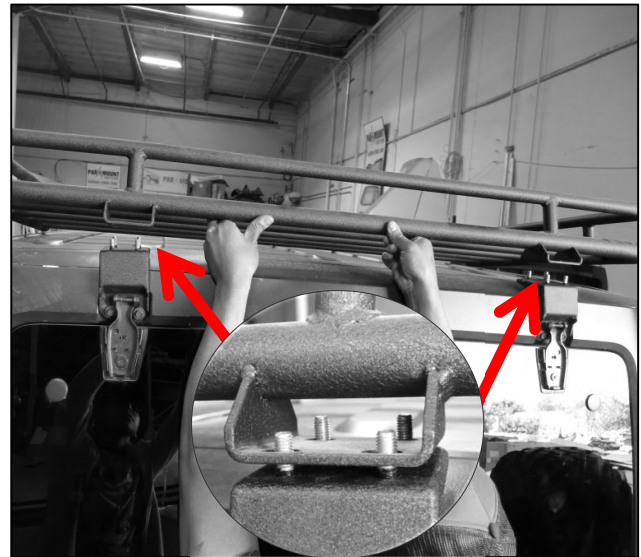
Step 2.
Using a 10mm socket locate and remove the two circled bolts shown above. Set hardware aside for later use. Repeat step for other side.

INSTALLING WINDOW HINGE BRACKETS



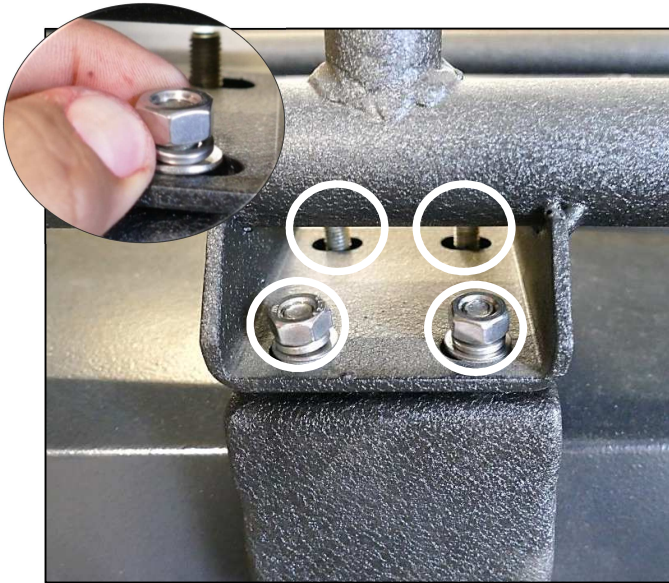
Step 1.
Place supplied window hinge bracket onto vehicle as shown. Reinstall factory bolts through the factory hinge and through the window hinge bracket. Tighten down using a 10mm socket. Reinstall factory window hinge cover. Repeat step for other side.

INSTALLING REAR RACK PIECE



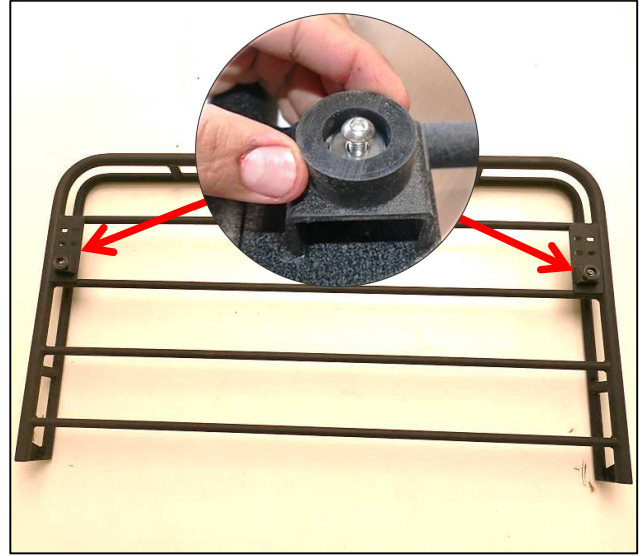
Step 1.
Place supplied rear rack piece onto Jeep as shown above. Line up the rear rack piece mounting holes with the window hinge bracket hinge studs.

INSTALLING REAR RACK PIECE continued



Step 2.
Place supplied M8 flat washer and supplied M8 split washer onto the end of bolt. Start a supplied M8x1.25 hex head nut at the end of bolt. Repeat step for remaining nuts. Tighten down using 13mm socket.

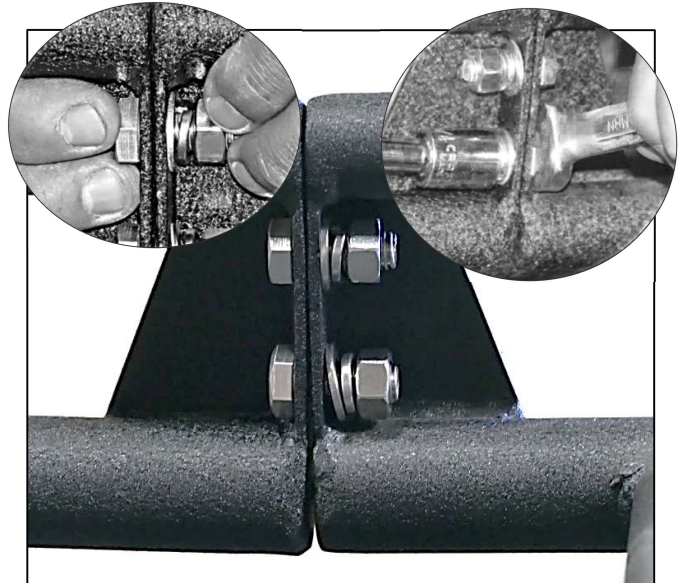
INSTALLING FRONT RACK PIECE



Step 1.
Place supplied rubber spacer onto front rack piece as shown. Secure rubber spacer onto front rack piece by placing a supplied M8x1.25x25mm Allen head bolt with supplied M8 flat washer through the rubber spacer onto center rack piece tighten down with 5/32 Allen key. Repeat step for other side.

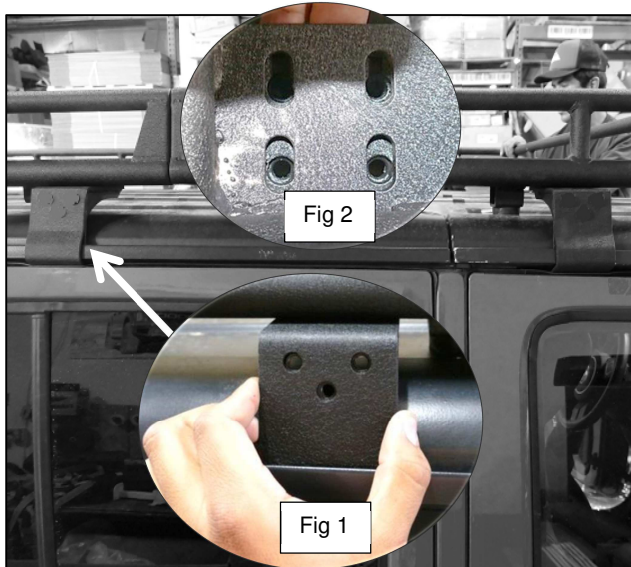


Step 2.
Place supplied front rack piece onto Jeep as shown above. Line up the front rack piece holes with the holes in the center rack piece.



Step 3.
Place supplied M6x1.0x25mm hex head bolt through the holes in the front rack piece and through the holes in the center rack piece. Place a supplied M6 flat washer and supplied M6 split washer at the end of bolt. Start a supplied M6x1.5 hex head nut at the end of bolt. Tighten down using a 5/8 socket and 5/8 wrench. Repeat step for remaining bolt. Repeat step for other side.

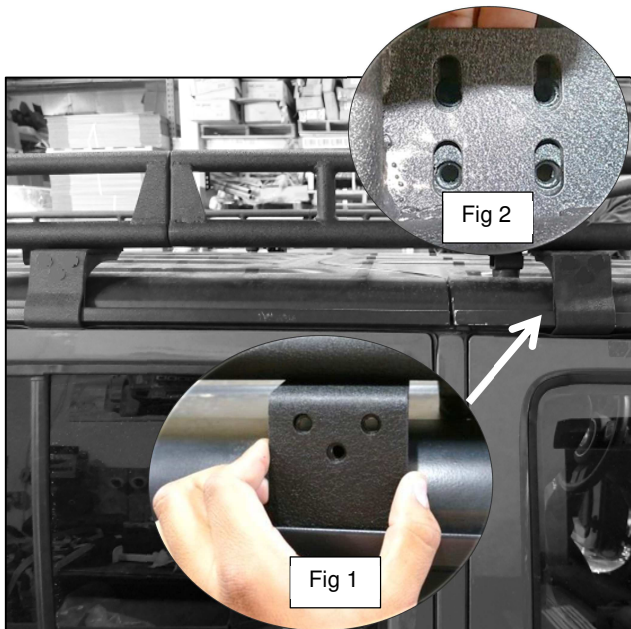
INSTALLING MOUNTING BRACKETS



Step 1.
Place supplied small mounting brackets towards the rear of the Jeep as shown above fig 1. Line up the top mounting holes with the roof rack mounting holes as shown in fig 2.



Step 2.
Working on the top side of the mounting bracket. Place a supplied M8x1.25x25mm hex head bolt with supplied M8 flat washer through the holes in the roof rack onto the holes on the mounting bracket. Tighten down using a 13mm socket. Repeat step for remaining bolts. Repeat step for 1-2 for remaining rear mounting brackets. Repeat step 1-2 for other side.

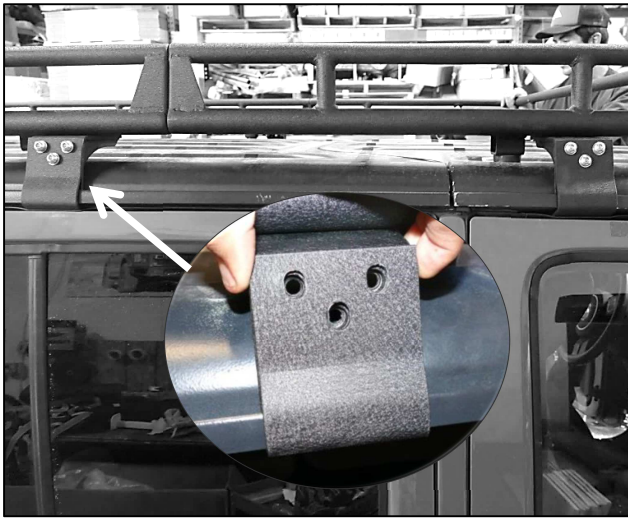


Step 3.
Place supplied large mounting brackets towards the front of the Jeep as shown above fig 1. Line up the top mounting holes with the roof rack mounting holes as shown in fig 2.



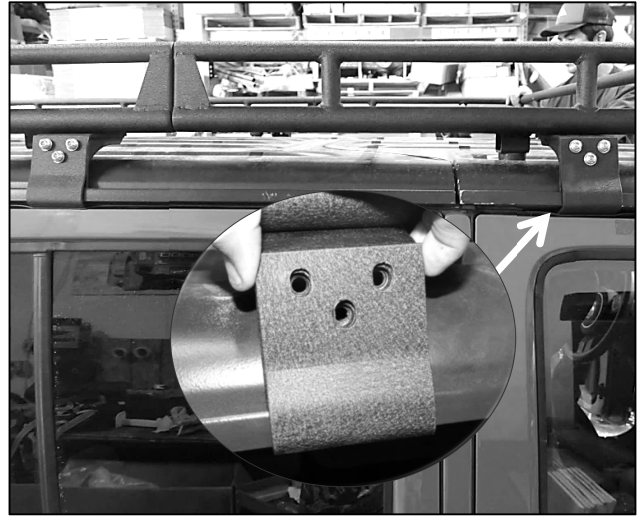
Step 4.
Working on the top side of the large mounting bracket. Place a supplied M8x1.25x25mm hex head bolt with supplied M8 flat washer through the holes in the roof rack onto the holes on the mounting bracket. Tighten down using a 13mm socket. Repeat step for remaining bolts. Repeat step for 1-2 for remaining rear mounting brackets. Repeat step 1-2 for other side.

INSTALLING CLAMPS



Step 1.

Open Jeep door. Place supplied small clamp onto mounting bracket as shown above. Secure clamp into place by placing a supplied M8x1.25x25mm Allen head bolt with supplied M8 flat washer and supplied M8 split washer through the holes in the clamps onto mounting bracket holes. Repeat step for remaining bolts. Tighten down all hardware using a 3/16 Allen key wrench. Repeat step for remaining clamps. Repeat step for other side.



Step 2.

Open Jeep door. Place supplied large clamp onto mounting bracket as shown above. Secure clamp into place by placing a supplied M8x1.25x25mm Allen head bolt with supplied M8 flat washer and supplied M8 split washer through the holes in the clamps onto mounting bracket holes. Repeat step for remaining bolts. Tighten down all hardware using a 3/16 Allen key wrench. Repeat step for remaining clamps. Repeat step 1-2 for other side clamps.

This completes the installation process.