

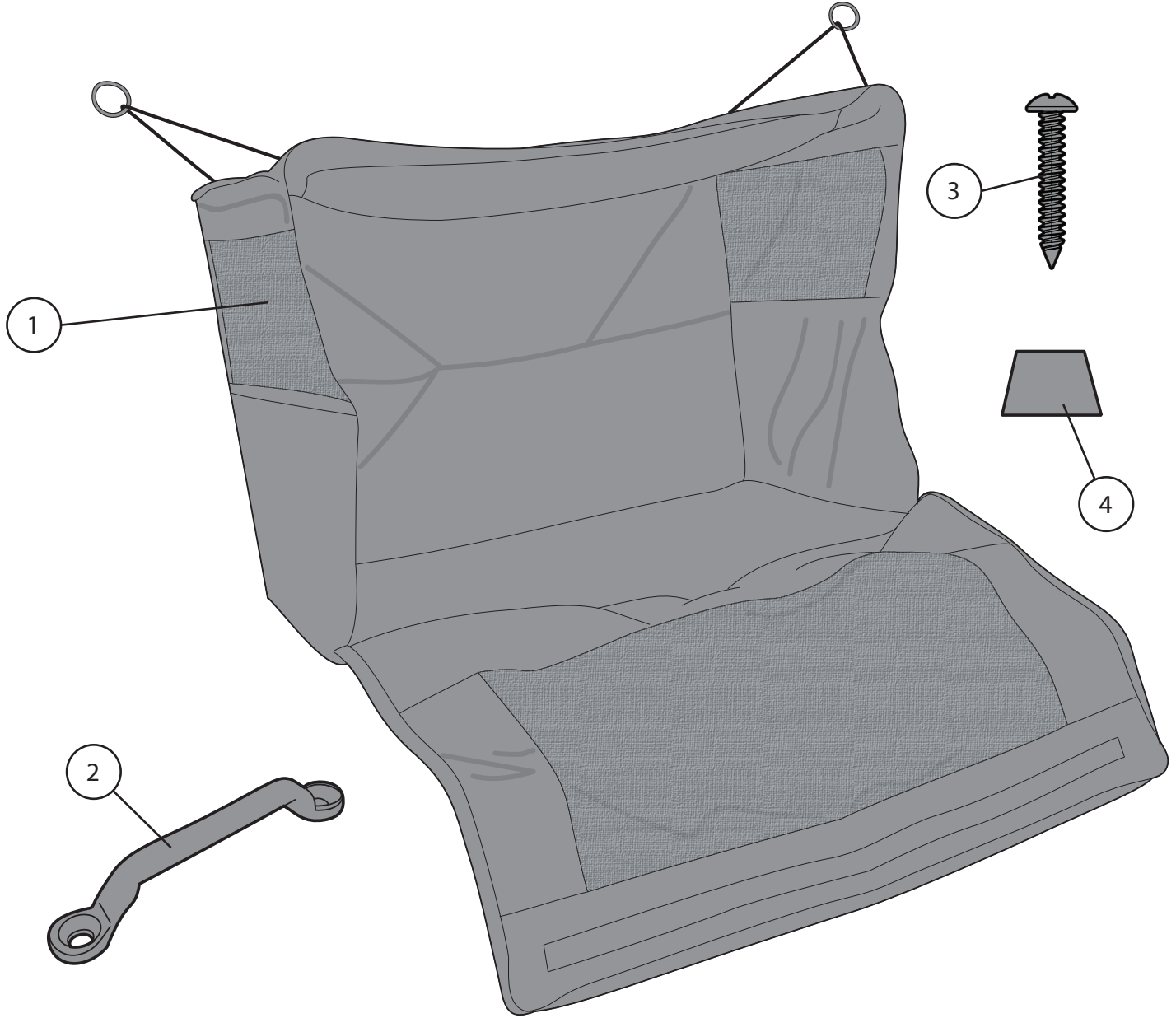


OMIX-ADA, Inc.

460 HORIZON DR. SUITE 100 | SUWANEE, GA 30024 | PHONE: 770-614-6101 | FAX: 770-614-6069 | info@omix-ada.com

Part #13260.20

C4 Collapsible Canine Containment Cube



Components

- 1. Cube (1)
- 2. Footman Loop (2)
- 3. Self Tapping Screws (4)
- 4. Plastic Spacer (4)

OMIX-ADA® TECHNICAL SUPPORT

PHONE: M-F 8am - 5pm EST 1-800-449-6649 | EMAIL: techsupport@omix-ada.com

FOR WARRANTY INFORMATION VISIT: www.Omix-Ada.com



OMIX-ADA, Inc.

460 HORIZON DR. SUITE 100 | SUWANEE, GA 30024 | PHONE: 770-614-6101 | FAX: 770-614-6069 | info@omix-ada.com

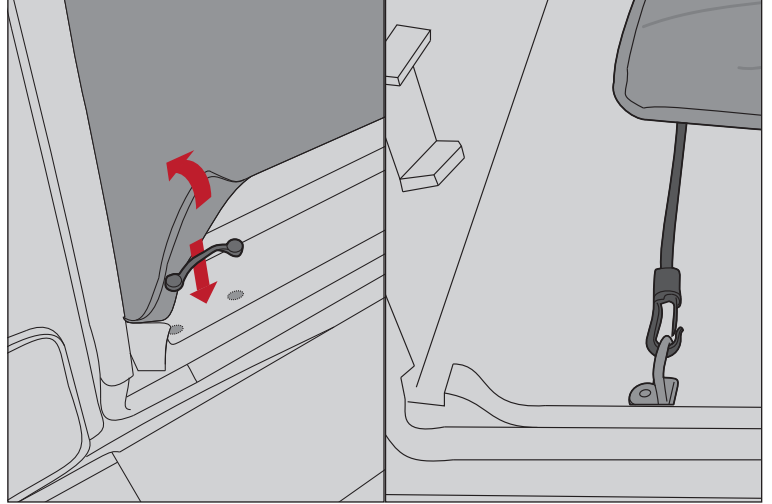
C4 Collapsible Canine Containment Cube

1. **For 2-Door: remove seat per manufacturer's instructions.** Place Cube inside cargo area with Logo Badge near tailgate.

2. For 2007-'10 Wranglers:

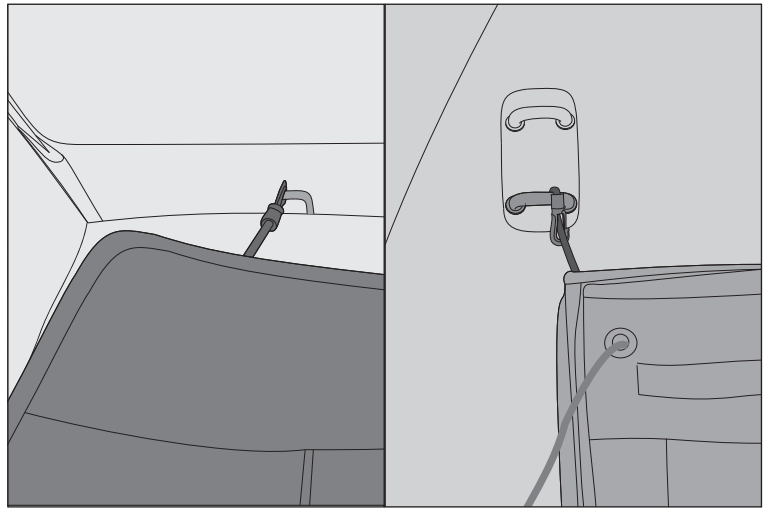
Lift carpet in rear-most corners. Use supplied footman loops to mark screw locations. Drill pilot holes at using a 9/64" drill bit. Attach supplied footman loop using Self Tapping Screws, placing plastic spacers between footman loop and sheet metal. Cut carpet above footman loop.

Attach front hooks to footman loops near tailgate.



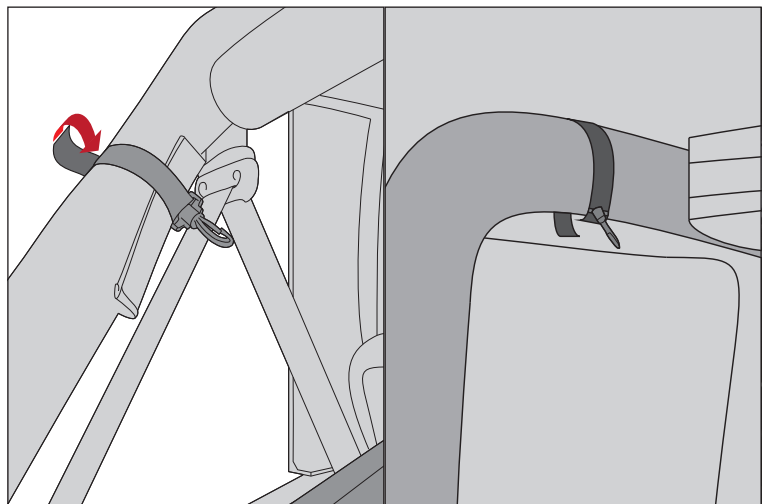
3. Attach rear hooks to footman loops at base of rear seats.

For 2-Door, loop bungee around first footman loop for rear seat. Attach hook to bungee.



4. Attach hook and loop straps to sport bars directly below seat belt assembly.

For 2-Door, place hook and loop around horizontal part of rear sport bar.



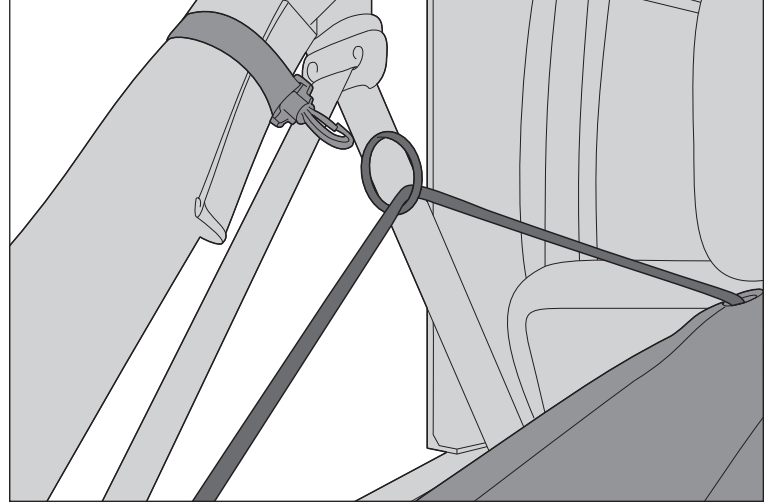


OMIX-ADA, Inc.

460 HORIZON DR. SUITE 100 | SUWANEE, GA 30024 | PHONE: 770-614-6101 | FAX: 770-614-6069 | info@omix-ada.com

C4 Collapsible Canine Containment Cube

5. Clip circular rings into hooks located on hook and loop straps.



6. Using toggle, adjust bungees to bring Cube to appropriate height.

NOTICE If bungee has excess length, tie off near toggle and trim

