



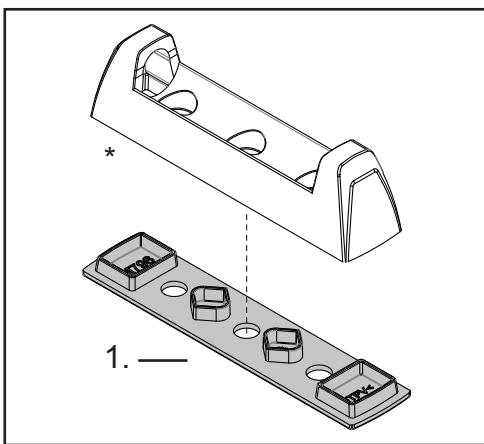
# RHINO-RACK

CONTROLLED

QMFK06

**\*Note:**

RLT600 Parts as separate.  
Fix the Quick Mount Rubber Flat Base into the Quick Mount Leg base as shown.



Item	Component Name	Qty	Part No.
1	Quick Mount Rubber Flat Base	4	M796
2	Instructions	1	R770

Issue: 01 Document No: R770 Prepared: Kayle Everett



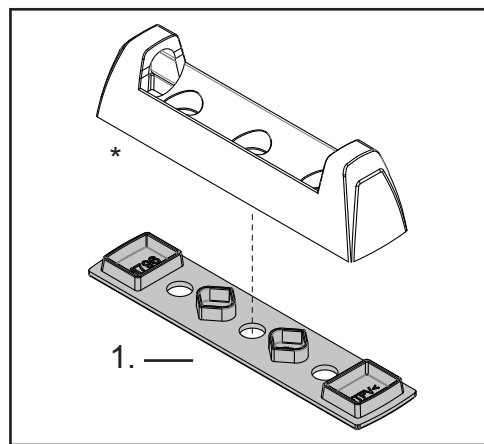
# RHINO-RACK

CONTROLLED

QMFK06

**\*Note:**

RLT600 Parts as separate.  
Fix the Quick Mount Rubber Flat Base into the Quick Mount Leg base as shown.



Item	Component Name	Qty	Part No.
1	Quick Mount Rubber Flat Base	4	M796
2	Instructions	1	R770

Issue: 01 Document No: R770 Prepared: Kayle Everett



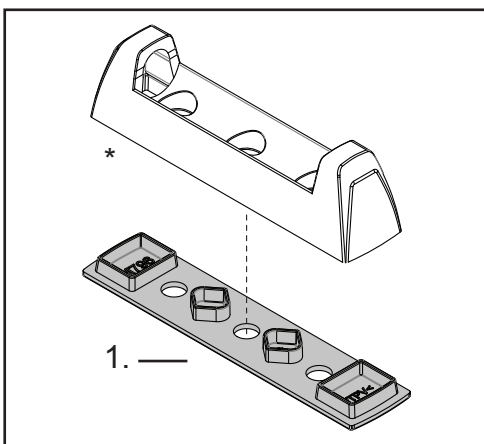
# RHINO-RACK

CONTROLLED

QMFK06

**\*Note:**

RLT600 Parts as separate.  
Fix the Quick Mount Rubber Flat Base into the Quick Mount Leg base as shown.



Item	Component Name	Qty	Part No.
1	Quick Mount Rubber Flat Base	4	M796
2	Instructions	1	R770

Issue: 01 Document No: R770 Prepared: Kayle Everett



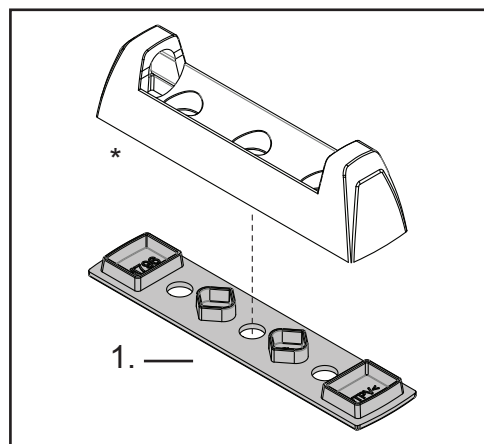
# RHINO-RACK

CONTROLLED

QMFK06

**\*Note:**

RLT600 Parts as separate.  
Fix the Quick Mount Rubber Flat Base into the Quick Mount Leg base as shown.



Item	Component Name	Qty	Part No.
1	Quick Mount Rubber Flat Base	4	M796
2	Instructions	1	R770

Issue: 01 Document No: R770 Prepared: Kayle Everett



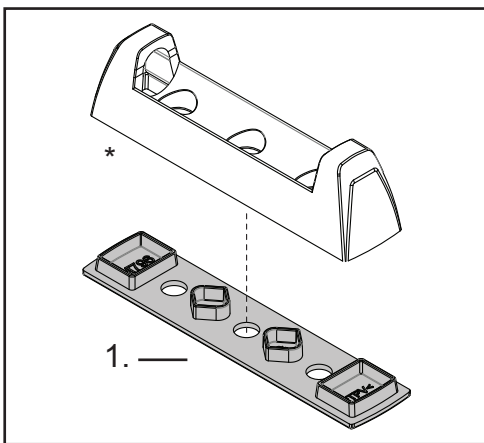
# RHINO-RACK

CONTROLLED

QMFK06

**\*Note:**

RLT600 Parts as separate.  
Fix the Quick Mount Rubber Flat Base into the Quick Mount Leg base as shown.



Item	Component Name	Qty	Part No.
1	Quick Mount Rubber Flat Base	4	M796
2	Instructions	1	R770

Issue: 01 Document No: R770 Prepared: Kayle Everett



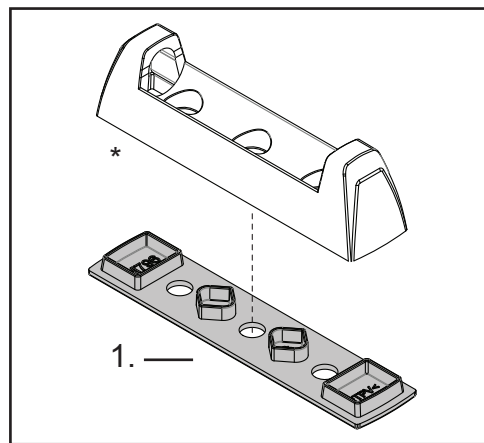
# RHINO-RACK

CONTROLLED

QMFK06

**\*Note:**

RLT600 Parts as separate.  
Fix the Quick Mount Rubber Flat Base into the Quick Mount Leg base as shown.



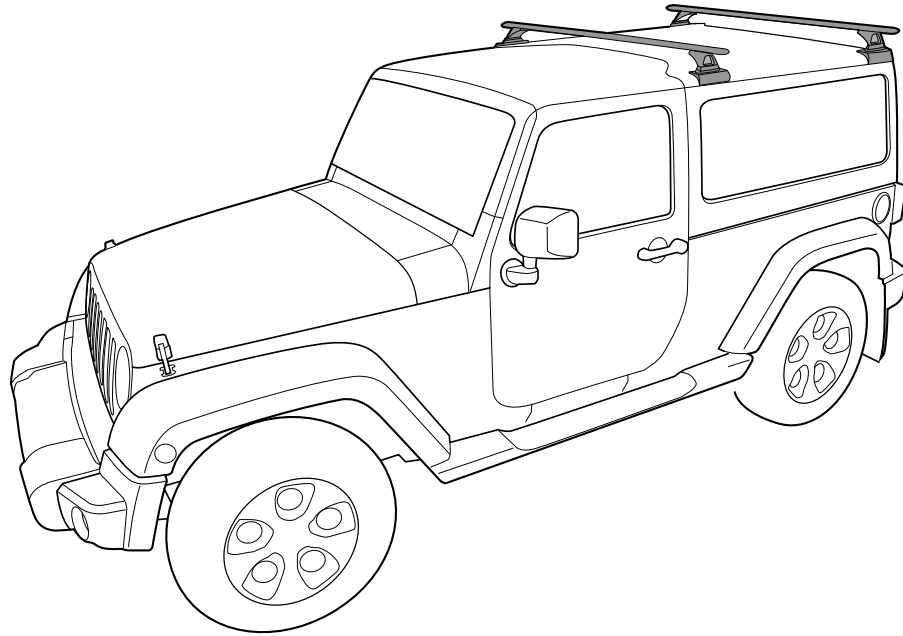
Item	Component Name	Qty	Part No.
1	Quick Mount Rubber Flat Base	4	M796
2	Instructions	1	R770

Issue: 01 Document No: R770 Prepared: Kayle Everett

# RHINO-RACK

## Jeep JK 2dr Backbone - RJKB2

**Fit Time:** 1.5 Hours



### IMPORTANT INFORMATION

**Maximum carrying capacity:**

On Road Cargo Allowance	Off Road Cargo Allowance	Static Allowance	Roof Allowance	Rack Weight
95kg / 209lbs	63kg / 138lbs	240kg / 530lbs	100kg/ 220lbs	5kg / 11lbs

**Roof Allowance:** Total permissible weight attached to the roof of the car. This is inclusive of the weight of the roof rack system

**Cargo Allowance:** Total permissible weight allowed on top, and attached to roof racks whilst the vehicle is in motion

**Static Allowance:** Total permissible weight allowed on top, and attached to roof racks whilst the vehicle is stationary

Please refer to your vehicle manufacturers handbook for maximum carrying capacity. Always use the lower of the two figures. Load must be evenly distributed over the entire Pioneer. Weight of roof rack accessories is to be included in cargo allowance.

**Torque settings**

Unless stated otherwise in these instructions, all fasteners should be set to the following torque settings -

M6: 4-5Nm (3-4lbs/ft), M8: 8-10Nm (6-7.5lbs/ft) and M10: 16-18Nm (12-13lbs/ft).

**Warning:**

- Check Part No. and/ or Kit is correct for use with your vehicle
- Do not attempt to fit the rack system to your vehicle unless you fully understand these fitting instructions. Please direct any questions regarding fitting to the dealer from where the roof racks were purchased.
- **Use only non-stretch fastening ropes or straps.**
- The handling characteristics of the vehicle changes when you transport a load on the roof. For safety reasons we recommend you exercise extreme care when transporting wind-resistant loads. Special consideration must be taken into account when cornering and braking.
- Although the system is tested and approved to AS1235-2000 / ISO 11154, off-road conditions can be much more rigorous. Extreme care must be taken in off road conditions

**Recommendations:**

It is essential that all bolt connections be checked after driving a short distance when you first install your roof racks. Bolt connections should be checked again at regular intervals (once a week is enough, depending on road conditions, usage, loads and distances travelled). You should also check the roof racks each time they are re-fitted. Always make sure to fasten your load securely. Please also ensure that all loads are evenly distributed and that the centre of gravity is kept as low as possible and must be entirely contained within the extents of the roof racks.

**Note for Dealers and Fitters:**

It is your responsibility to ensure these fitting instructions are given to the end user or client

Rhino-Rack, 3 Pike St, Rydalmere  
NSW 2116, Australia  
(02) 8846 1900  
rhinorack.com.au

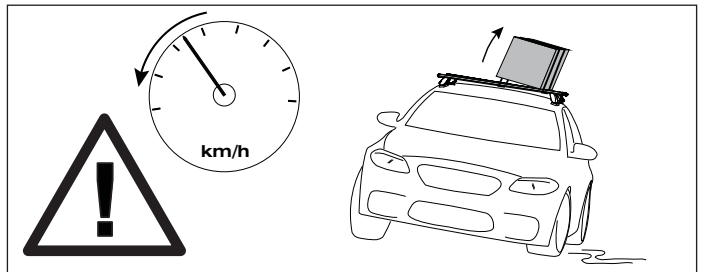
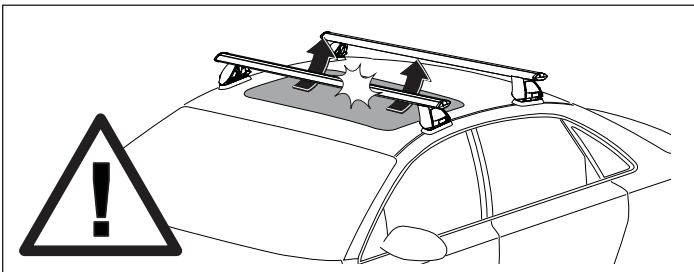
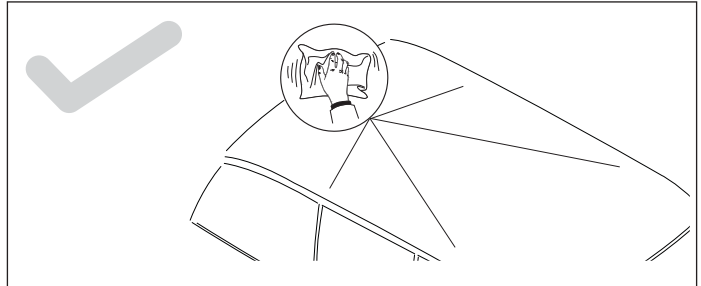
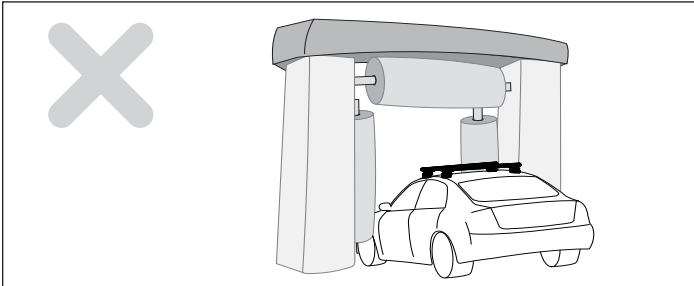
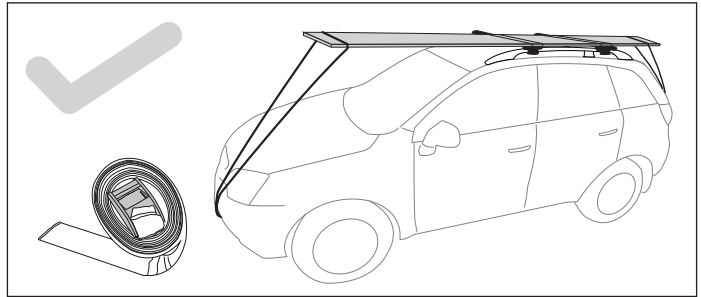
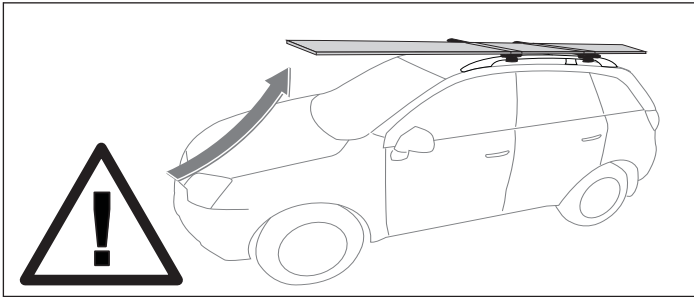
Document No: R438  
Prepared By: Kayle Everett  
Authorised By: Chris Murty

Issue No: 07  
Issue Date: 31/08/2018

These instructions remain the property of Rhino-Rack Australia Pty. Ltd. and may not be used or changed for any other purpose than intended.

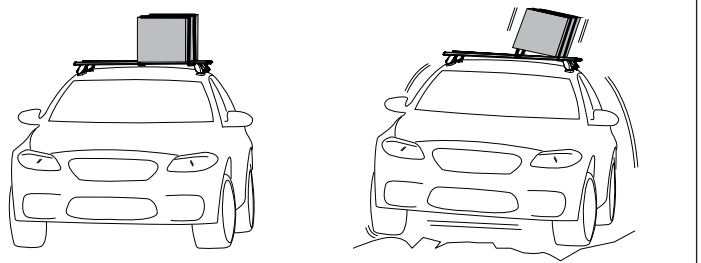
# RHINO-RACK

## Jeep JK 2dr Backbone - RJKB2

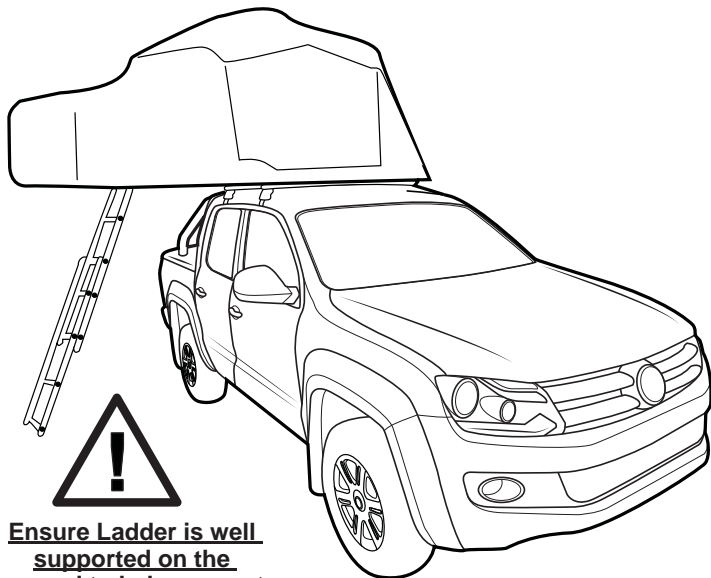


The handling characteristics of the vehicle changes when you transport a load on the roof. For safety reasons we recommend you exercise extreme care when transporting wind-resistant loads. Special consideration must be taken into account when cornering and braking.

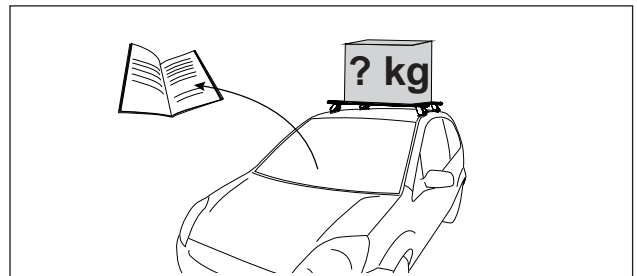
Although the system is tested and approved to AS1235-2000 / ISO 11154, off-road conditions can be much more rigorous. Extreme care must be taken in off road conditions



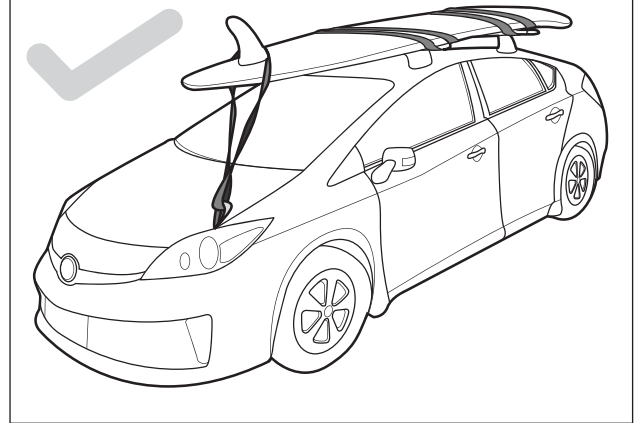
**Static Load Rating:** refer to front page



**Ensure Ladder is well supported on the ground to help support tent. Take extreme caution when climbing heights above 1.2m/4ft.**



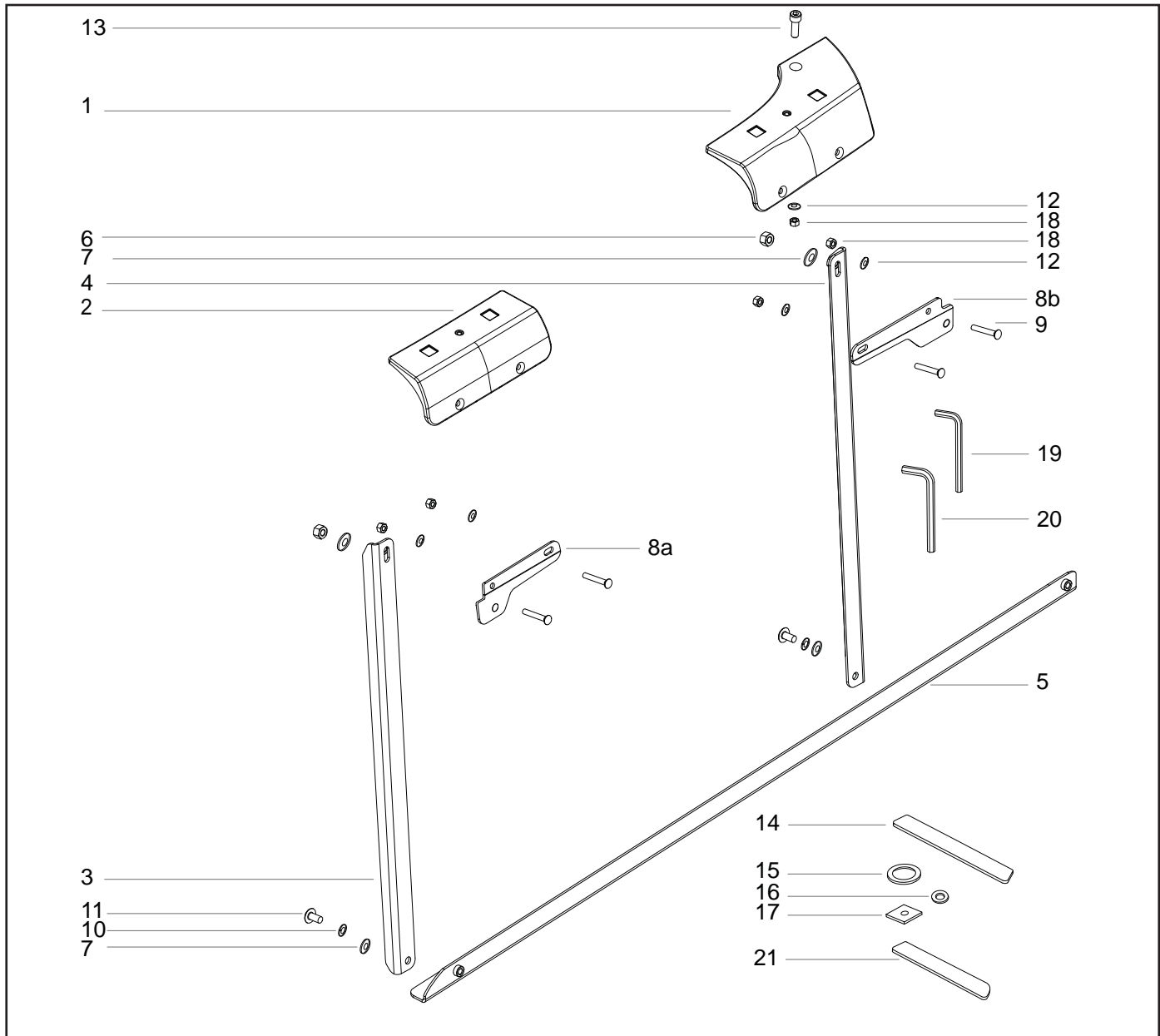
Paddle/ Surfboards should be fixed to the front of the vehicle.



# RHINO-RACK

## Jeep JK 2dr Backbone - RJKB2

### Parts List



Item	Component Name	Qty R	Qty L	Part No.
1	Rear Bracket	1	1	CA1274
2	Middle Bracket		2	CA1275
3	Internal Support Vertical Front		2	CA1358
4	Internal Support Vertical Rear		2	CA1280
5	Internal Support Base	1	1	CA1324

Item	Component Name	Qty	Part No.
6	M8 Nyloc Nut Black	4	N043
7	M8 Flat Washer Black	8	CA1068
8a	Bracket Fixture Plate Front	2	CA1325
8b	Bracket Fixture Plate Rear	2	CA1282
9	M6 x 30 Socket HD Bolt Black	8	B211
10	M8 Spring Washer Black	4	W019-Blk
11	M8x20 Hex Setscrew Black	4	B020-Blk
12	M6 Flat Washer Black	10	W054-Blk
13	M6 x 30 Socket HD with O-Ring	2	B210
14	Middle Bracket Foam	2	CA1284
15	Bracket O Foam L	2	CA1285
16	Bracket O Foam S	4	CA1286
17	Bracket Foam Square	2	CA1287
18	M6 Nyloc Nut Blk	10	N069
19	4mm Allen Key	1	H001
20	5mm Allen Key	1	H002
21	End Bracket Rear Foam	2	-
22	Instructions	1	R438

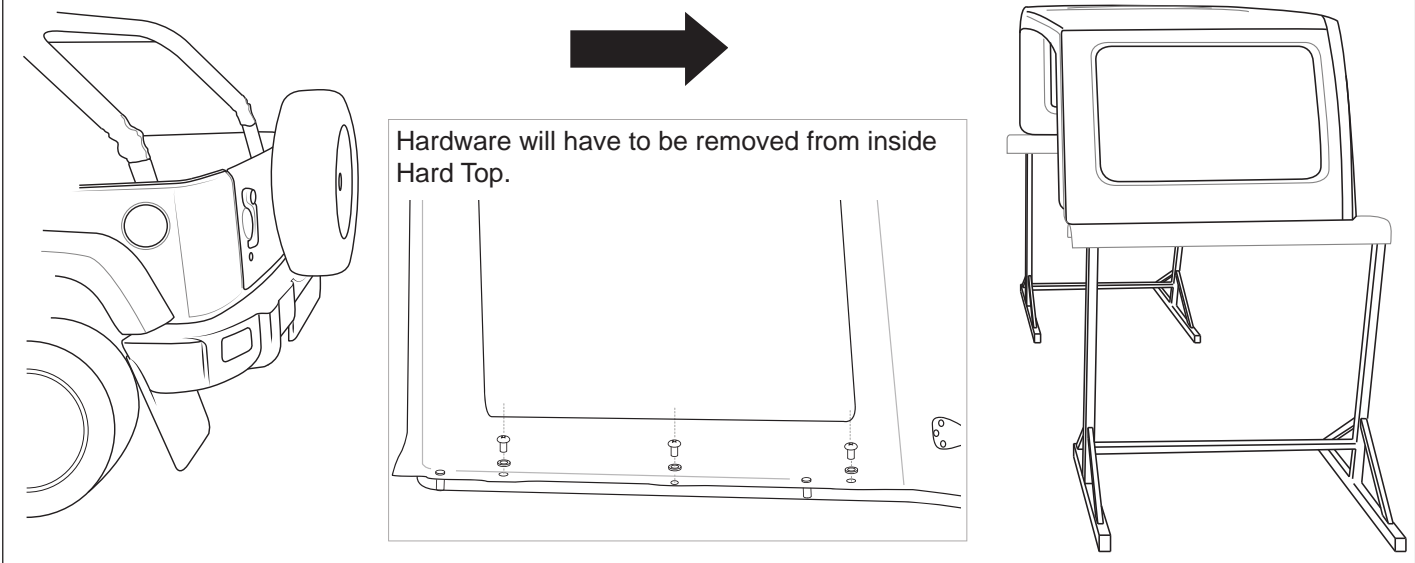
**Tools Required:**

- 10mm Spanner
- 13mm Spanner
- Tape Measure
- Marker Pen
- 4mm Allen Key (supplied)
- 5mm Allen Key (supplied)
- Support Stands
- Drill
- 3.0mm Drill Bit
- 6.5mm Drill Bit

# RHINO-RACK

## Jeep JK 2dr Backbone - RJKB2

**1** Remove the Hard Top (as per manufacturer's instruction) and place onto a stable, safe working area.



**2a** Assemble the Support Struts as shown. Finger tighten. Check part ID to make left and right side supports.

- M8 x 20mm Security screw
- M8 Spring Washer
- M8 Flat Washer

Two holes closer together denote the rear end.

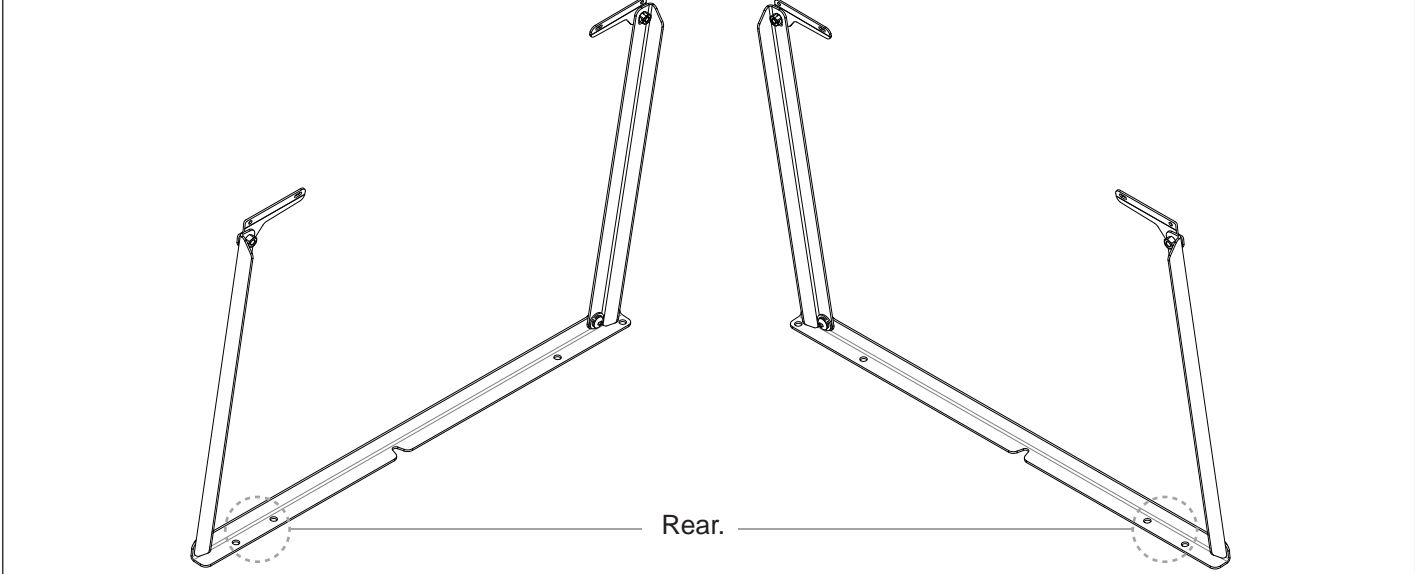
Front end strut has a shorter flange to fit behind roll bar.

**2b** Attach item 8a,b to the arms as shown, using an M8 washer and M8 an Nyloc nut. Finger tighten.

Front fixture plate has larger cut out

Rear.

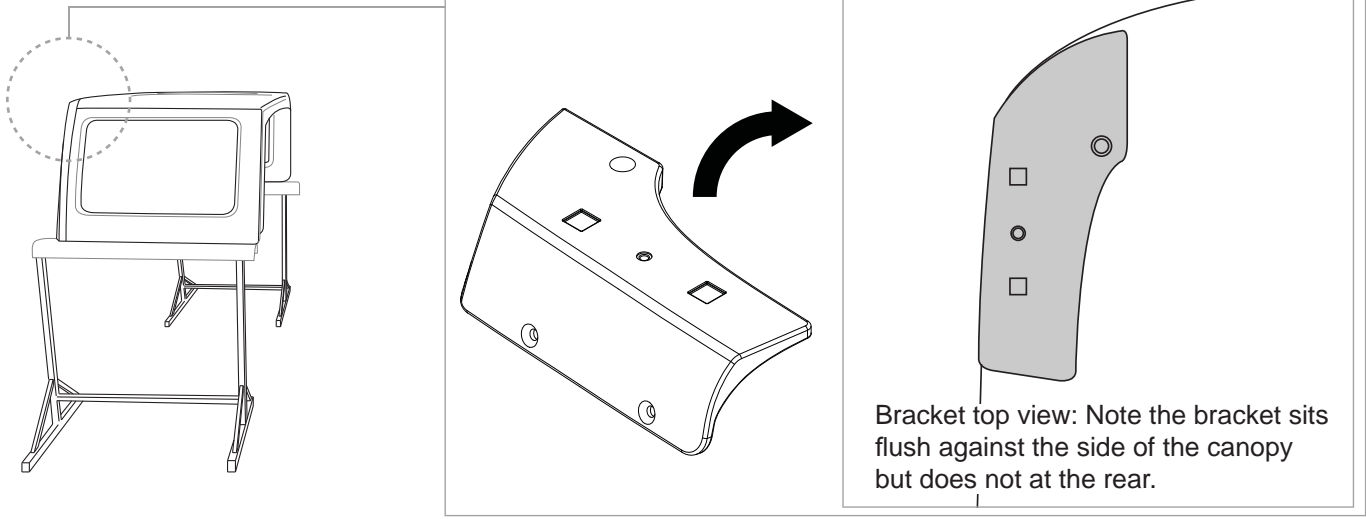
**3** Repeat the process for for the opposing support strut.



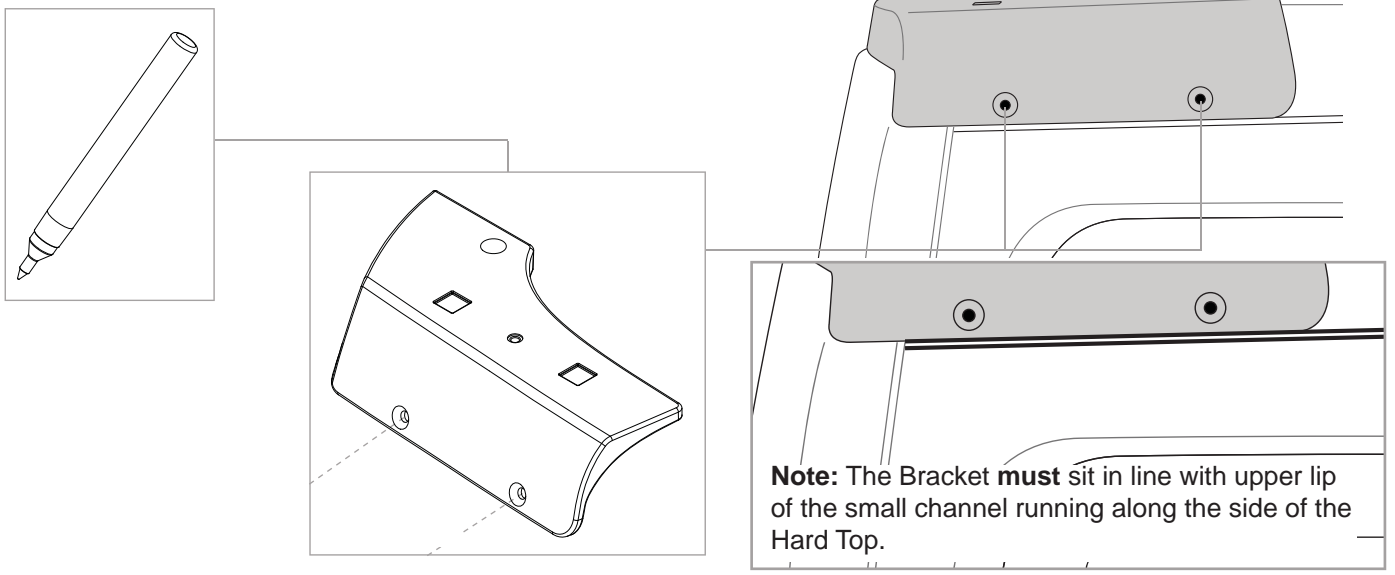
# RHINO-RACK

## Jeep JK 2dr Backbone - RJKB2

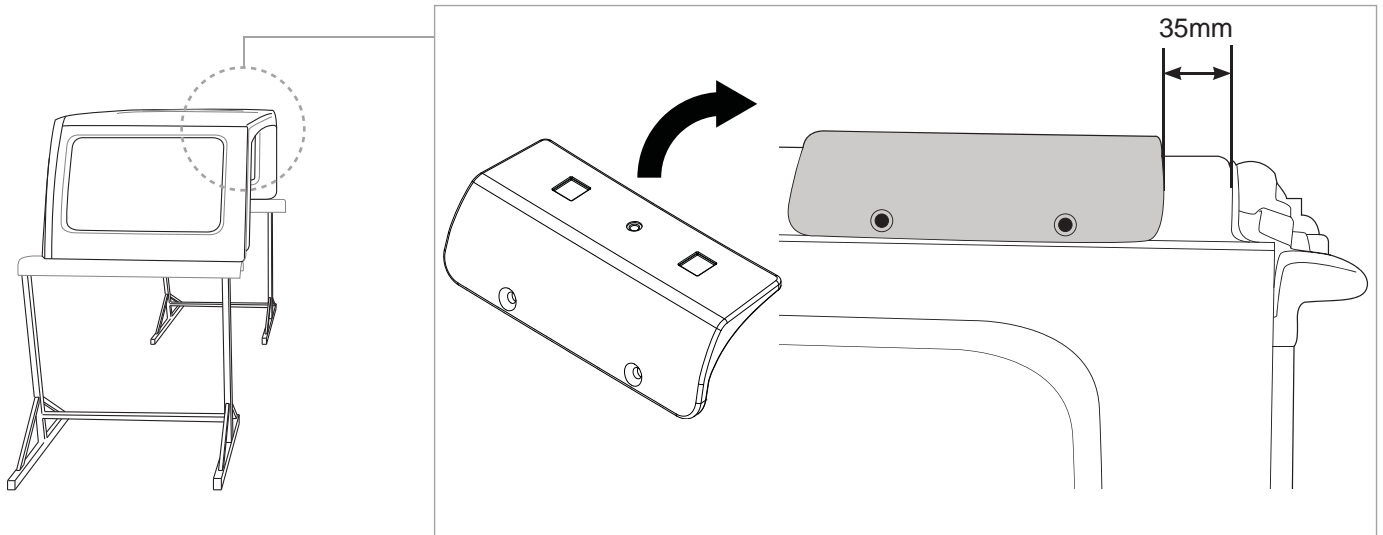
- 4** Align the REAR bracket with the REAR of the Hard Top. Line the bracket flush with the contour of the Hard Top as show.



- 5** With bracket aligned, spot mark the bracket position as shown. It is important to be accurate when marking. Always mark the centre of the hole.



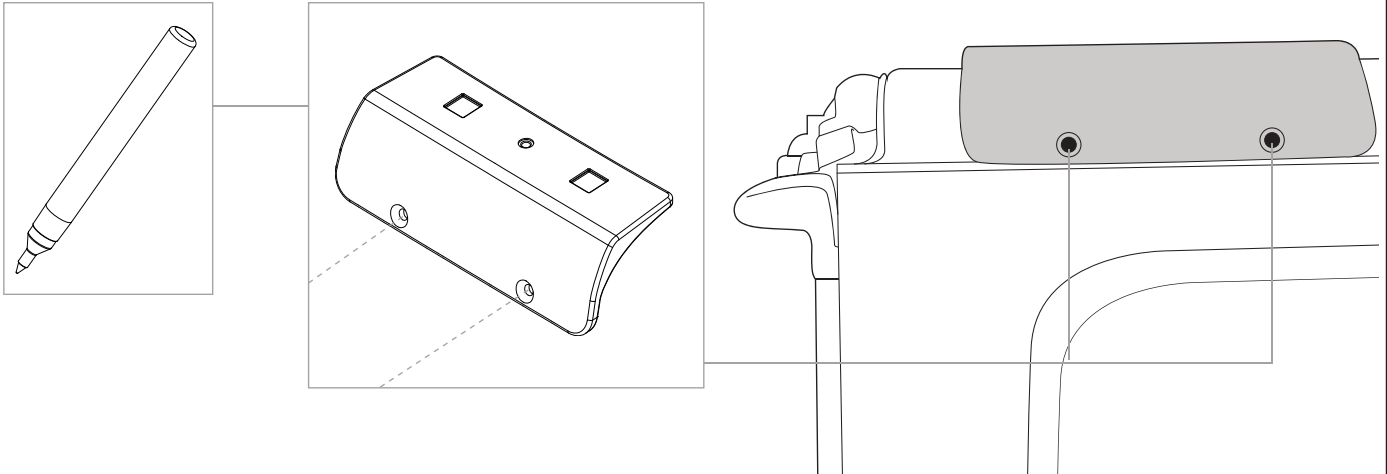
- 6** Align the FRONT Bracket **35mm** back from where the hard top meets the rubber seal at the front of the canopy.



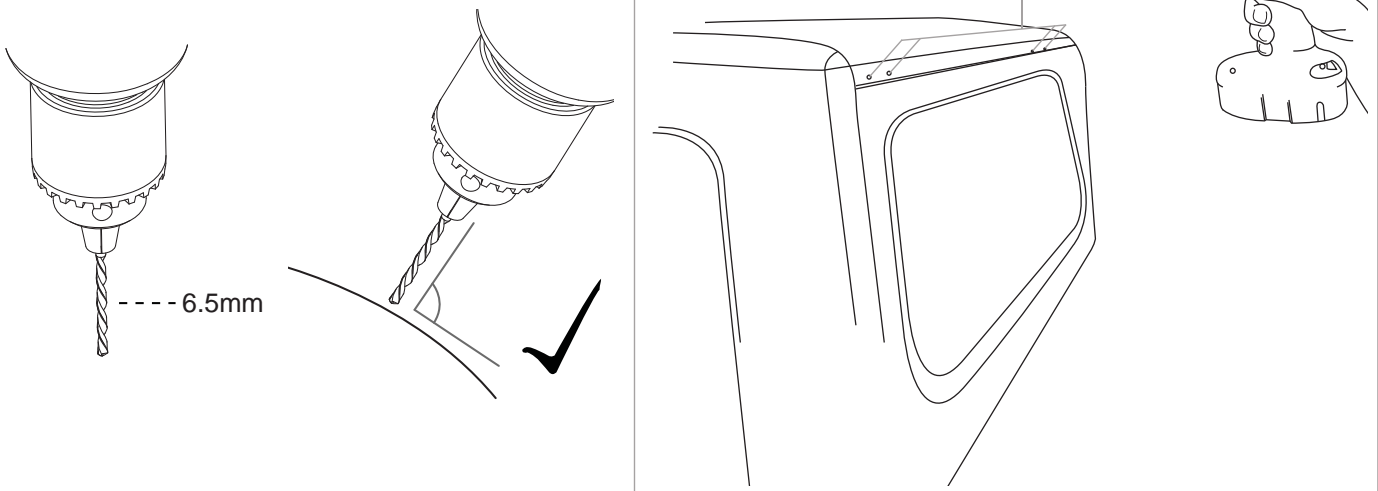
# RHINO-RACK

## Jeep JK 2dr Backbone - RJKB2

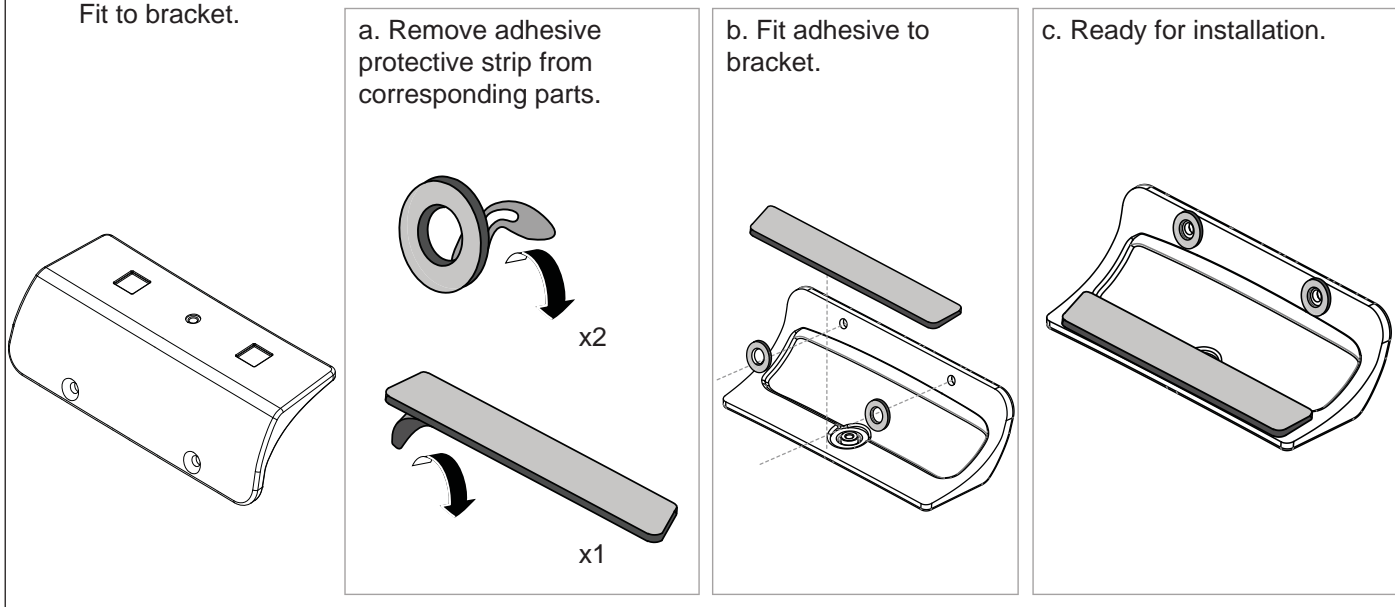
**7** With the FRONT Bracket aligned, spot mark the bracket position as shown.



**8** Using a 6.5mm drill bit, drill **ALL** holes. Angle drill when completing so that it is perpendicular to the roof.



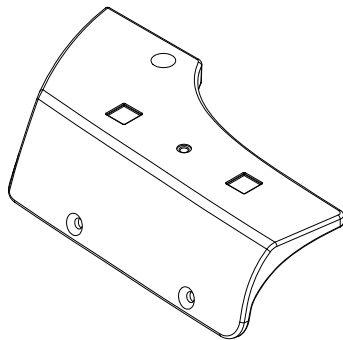
**9** With relation to the FRONT Bracket, take corresponding foam pads and remove the protective strip as shown. Fit to bracket.



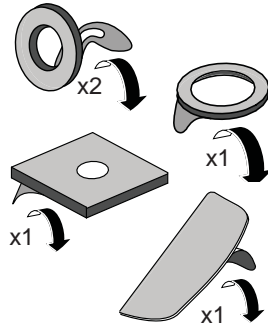
# RHINO-RACK

## Jeep JK 2dr Backbone - RJKB2

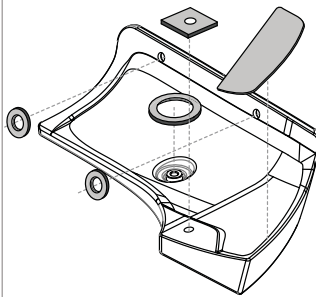
**10** With relation to the Rear Bracket, take corresponding foam pads and remove the protective strip as shown. Fit to bracket.



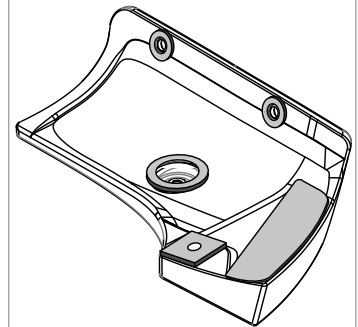
a. Remove adhesive protective strip from corresponding parts.



b. Fit adhesive to bracket.



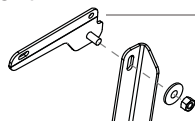
c. Ready for installation.



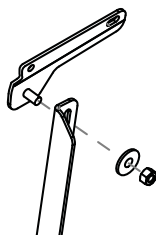
**Note: Repeat the previous steps 4 to 10, for the opposing side of the Hard Top**

**11** With assistance to hold the Support Strut in place, set the assembly on the inside of the Hard Top as shown.

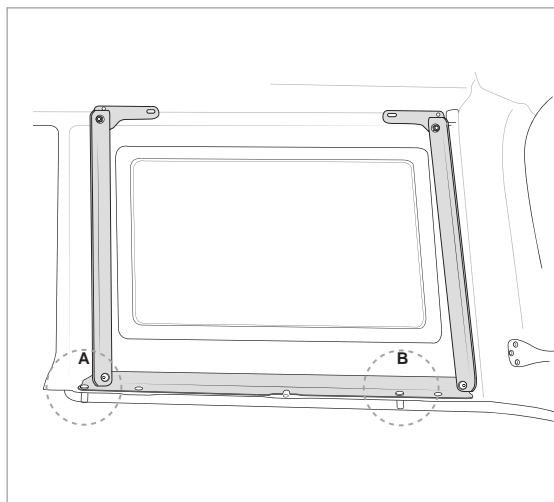
Front.



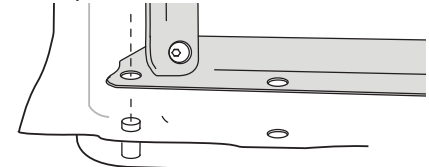
Front fixture plate has larger cut out



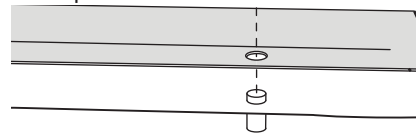
Rear.



A. The Support Strut will slot onto the Hard Top studs as shown.

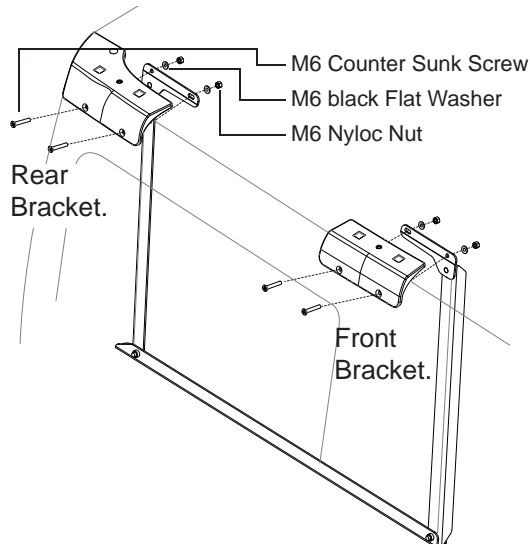


B. The Support Strut will slot onto the Hard Top studs as shown.

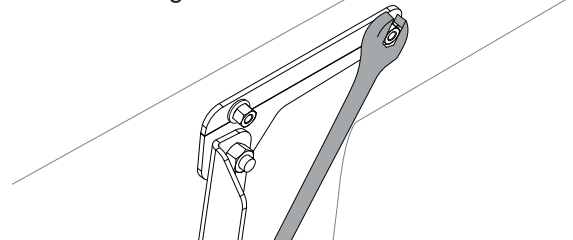


**12** With assistance to hold the Support Strut in place, move to the outside of the Hard Top. Place the REAR Bracket in place. Insert M6 counter sunk screws, fastening from the inside with M6 black flat washers and M6 Nyloc nuts. Hold the nyloc nuts in place with a 10mm spanner. Tighten from the outside with a 4mm allen key. Repeat this process for the FRONT Bracket.

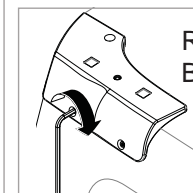
1. Assemble as shown. Finger tighten to fix in place.



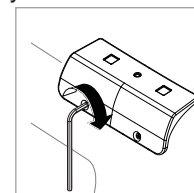
2. Hold Nyloc Nut with a spanner, allowing the bracket to be tightened from the outside.



3. Fix with a 4mm Allen Key.



Rear Bracket.



Front Bracket.

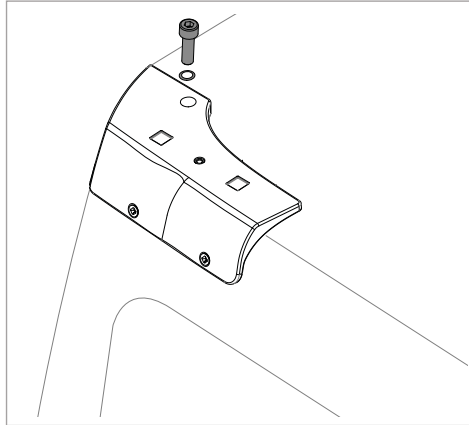
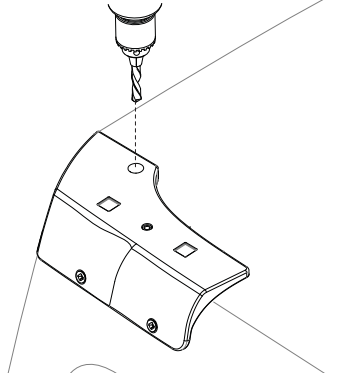


# RHINO-RACK

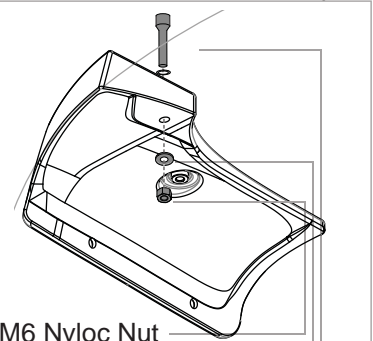
## Jeep JK 2dr Backbone - RJKB2

- 13** With Rear Bracket now secure, drill out the top fixture point with a 6.5mm (1/4") bit. Use an M6 socket HD bolt with O'ring, an M6 flat washer and an M6 nyloc nut to fix the bracket.

Drill out fixture point.

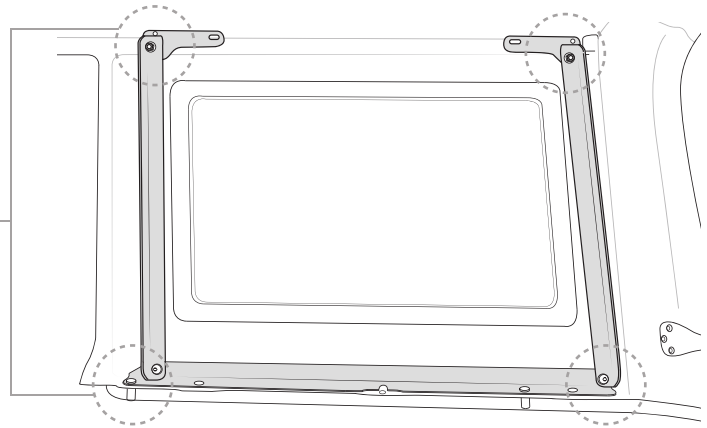
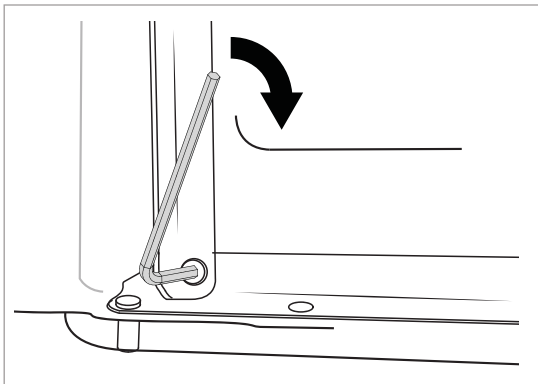


View from inside Hard Top



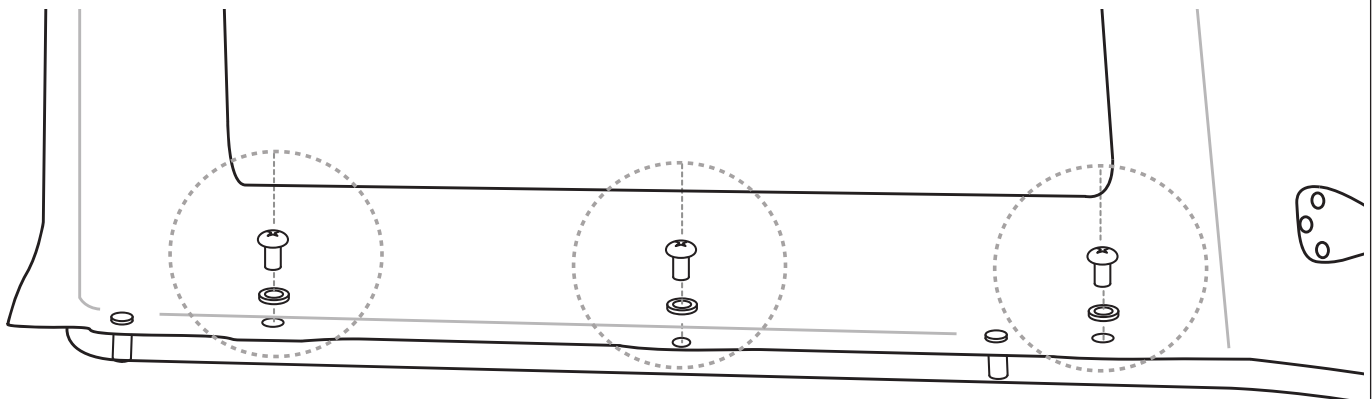
M6 Nyloc Nut  
M6 Flat Washer  
M6 socket Hd Bolt

- 14** Tighten supports with a 5mm allen key. Top of supports will require a 13mm spanner.



**Note: Repeat previous steps 11-14 for the opposing side of the Hard Top**

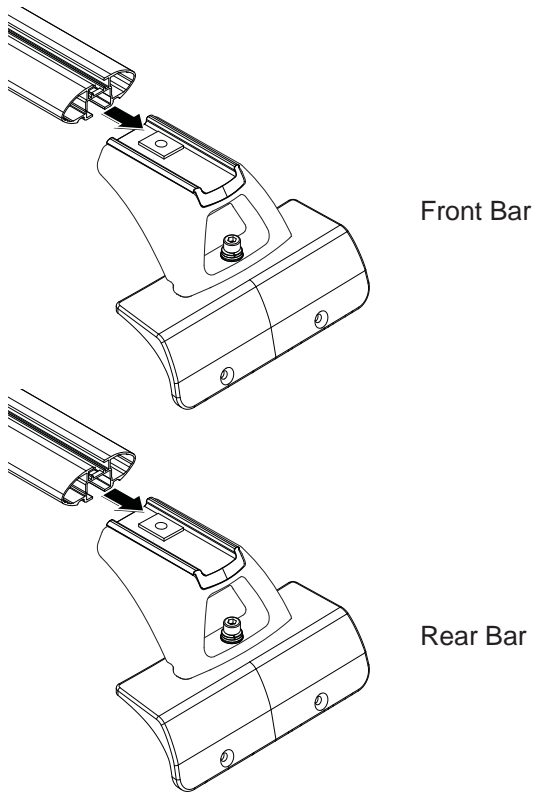
- 15** Place the Hard Top back onto the Jeep (refer to manufacturers instructions). Replace the hardware removed in step 1 on both sides of the inner Hard Top.



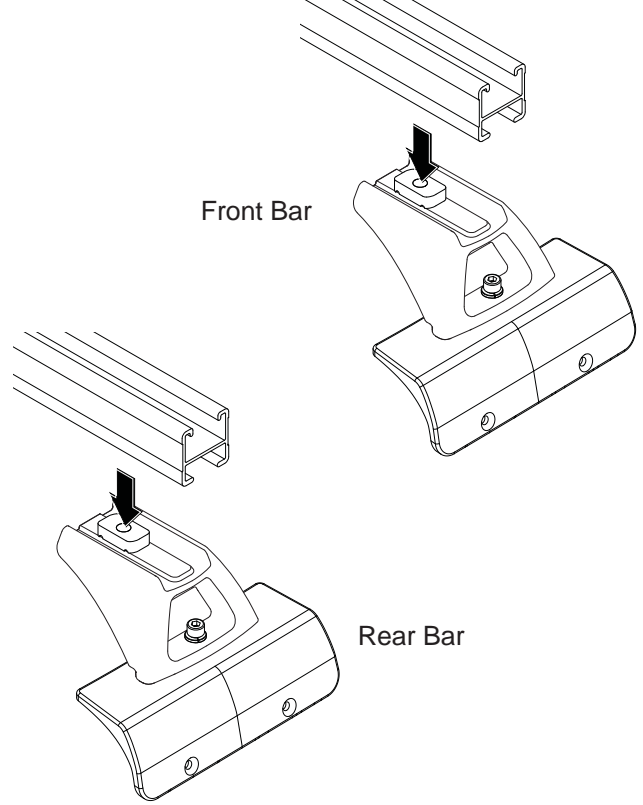
# RHINO-RACK

## Jeep JK 2dr Backbone - RJKB2

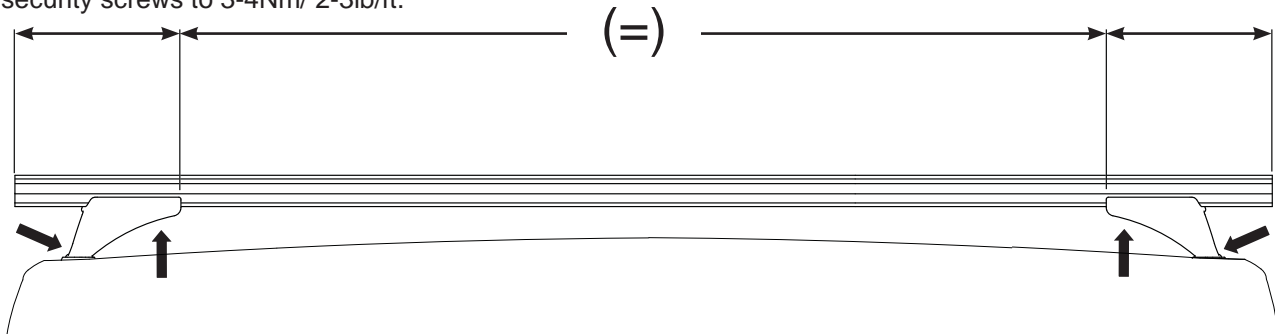
### 16 Attach Vortex Crossbars



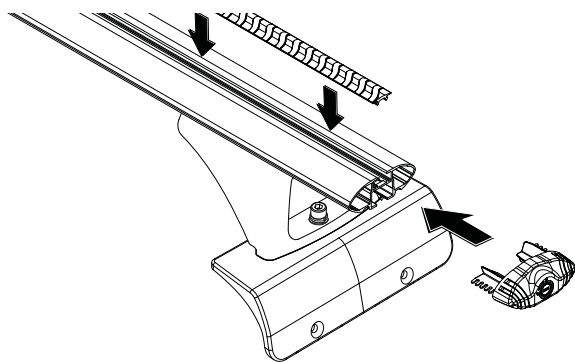
### Heavy Duty Crossbars



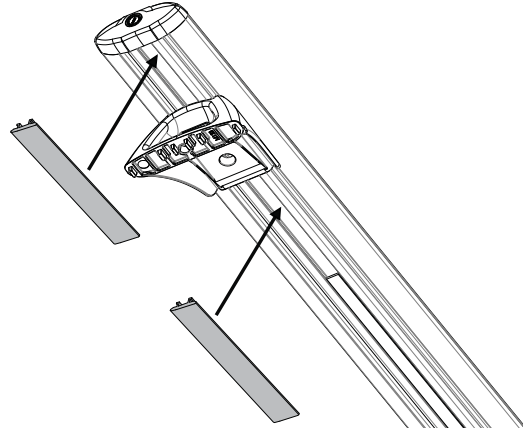
### 17 Adjust crossbar overhang to be equal on both sides. Tighten M6 crossbar bolts to 3-4Nm/ 2-3lb/ft. Tighten M6 security screws to 3-4Nm/ 2-3lb/ft.



### 18 Insert vortex rubber and end caps into all crossbars.



### 19 Measure the under bar slot length each side of the leg. Cut under bar strips to fill the gaps.



**Note: RE-CHECK ALL FASTENERS ARE SECURE.**

# RHINO-RACK


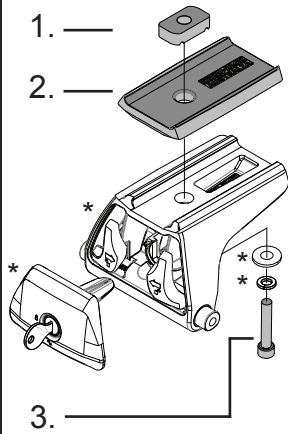
QMHD05

**CONTROLLED**

Item	Component Name	Qty	Part No.
1	M6 Channel Nut	2	N002
2	Quick Mount Leg HD Bar Spacer	2	M709
3	M6x40 Socket HD Cap Screw	2	B047
4	Instructions	1	R569

**\*Note:**  
RLT600 Parts as separate.  
Fix the Quick Mount Spacer to the Leg using the hardware in the leg kit. The bolts found in the spacer kit will replace the original in the leg kit.

**Tools Required:**  
5mm Allen Key

Note: Max Spacer height 30mm

Issue: 02 Document No: R569 Prepared: Kayle Everett

# RHINO-RACK


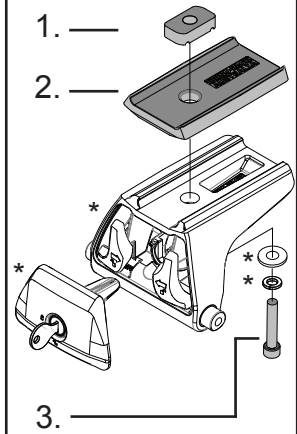
QMHD05

**CONTROLLED**

Item	Component Name	Qty	Part No.
1	M6 Channel Nut	2	N002
2	Quick Mount Leg HD Bar Spacer	2	M709
3	M6x40 Socket HD Cap Screw	2	B047
4	Instructions	1	R569

**\*Note:**  
RLT600 Parts as separate.  
Fix the Quick Mount Spacer to the Leg using the hardware in the leg kit. The bolts found in the spacer kit will replace the original in the leg kit.

**Tools Required:**  
5mm Allen Key

Note: Max Spacer height 30mm

Issue: 02 Document No: R569 Prepared: Kayle Everett

# RHINO-RACK


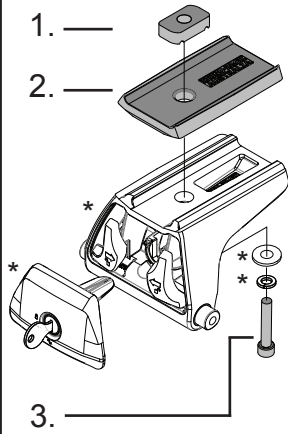
QMHD05

**CONTROLLED**

Item	Component Name	Qty	Part No.
1	M6 Channel Nut	2	N002
2	Quick Mount Leg HD Bar Spacer	2	M709
3	M6x40 Socket HD Cap Screw	2	B047
4	Instructions	1	R569

**\*Note:**  
RLT600 Parts as separate.  
Fix the Quick Mount Spacer to the Leg using the hardware in the leg kit. The bolts found in the spacer kit will replace the original in the leg kit.

**Tools Required:**  
5mm Allen Key

Note: Max Spacer height 30mm

Issue: 02 Document No: R569 Prepared: Kayle Everett

# RHINO-RACK


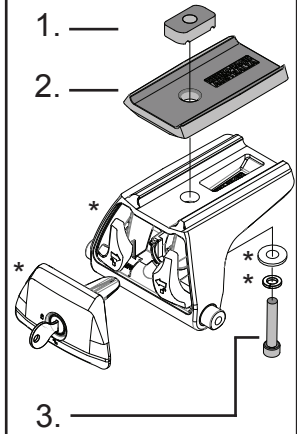
QMHD05

**CONTROLLED**

Item	Component Name	Qty	Part No.
1	M6 Channel Nut	2	N002
2	Quick Mount Leg HD Bar Spacer	2	M709
3	M6x40 Socket HD Cap Screw	2	B047
4	Instructions	1	R569

**\*Note:**  
RLT600 Parts as separate.  
Fix the Quick Mount Spacer to the Leg using the hardware in the leg kit. The bolts found in the spacer kit will replace the original in the leg kit.

**Tools Required:**  
5mm Allen Key

Note: Max Spacer height 30mm

Issue: 02 Document No: R569 Prepared: Kayle Everett

# RHINO-RACK


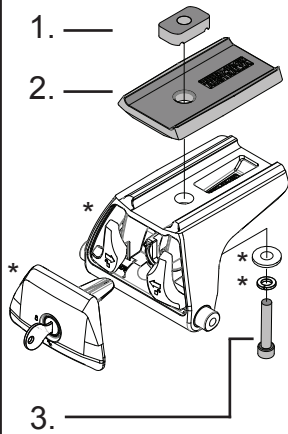
QMHD05

**CONTROLLED**

Item	Component Name	Qty	Part No.
1	M6 Channel Nut	2	N002
2	Quick Mount Leg HD Bar Spacer	2	M709
3	M6x40 Socket HD Cap Screw	2	B047
4	Instructions	1	R569

**\*Note:**  
RLT600 Parts as separate.  
Fix the Quick Mount Spacer to the Leg using the hardware in the leg kit. The bolts found in the spacer kit will replace the original in the leg kit.

**Tools Required:**  
5mm Allen Key

Note: Max Spacer height 30mm

Issue: 02 Document No: R569 Prepared: Kayle Everett

# RHINO-RACK


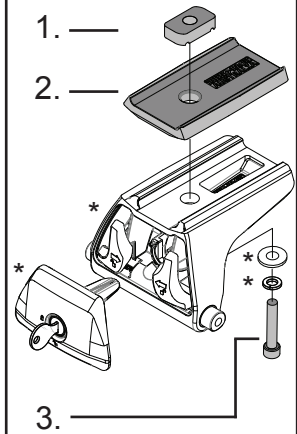
QMHD05

**CONTROLLED**

Item	Component Name	Qty	Part No.
1	M6 Channel Nut	2	N002
2	Quick Mount Leg HD Bar Spacer	2	M709
3	M6x40 Socket HD Cap Screw	2	B047
4	Instructions	1	R569

**\*Note:**  
RLT600 Parts as separate.  
Fix the Quick Mount Spacer to the Leg using the hardware in the leg kit. The bolts found in the spacer kit will replace the original in the leg kit.

**Tools Required:**  
5mm Allen Key

Note: Max Spacer height 30mm

Issue: 02 Document No: R569 Prepared: Kayle Everett

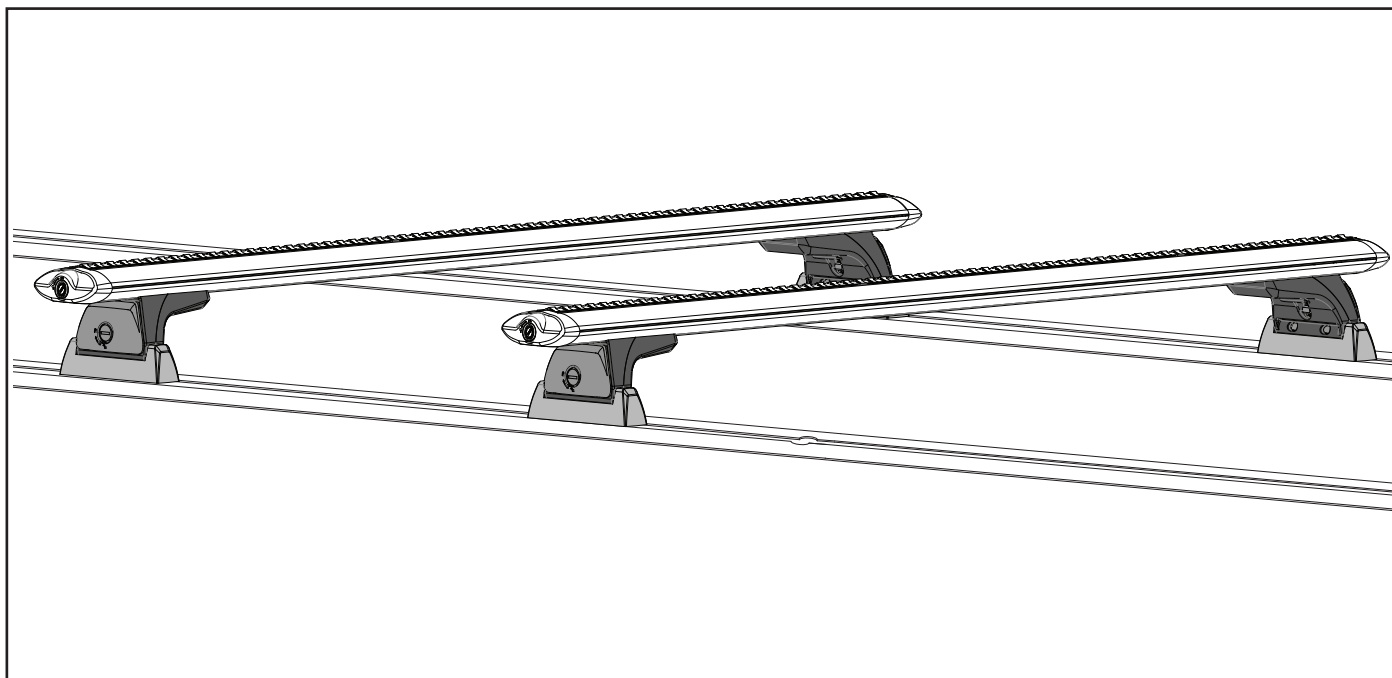


**CONTROLLED**

# RHINO-RACK

## Quick Mount Track Legs RLT600

**Important:** Please read these instructions carefully prior to and during installation.  
Check the contents of kit before commencing fitment and report any discrepancies.



Clean roof prior to installation.

### Important Information

**Maximum carrying capacity: Up to 100kg.** Evenly distributed over the crossbars.

It is essential that all bolt connections be checked after driving a short distance when you first install your crossbars. Bolt connections should be checked again at regular intervals (probably once a week is enough, depending on road conditions, usage, loads and distances travelled). You should also check the crossbars each time they are re-fitted.

Make sure to fasten your load securely. Ensure all loads are evenly distributed and centre of gravity is kept as low as possible.

**Use only non-stretch fastening ropes or straps.**

**Caution:** The handling characteristics of the vehicle changes when you transport a load on the roof. For safety reasons we recommend you exercise extreme care when transporting wind-resistant loads. Special consideration must be taken into account when cornering and braking.

**Please remove crossbars when putting vehicle through an automatic car wash.**

**Load ratings:**

Maximum permissible load for system is up to 100kg per pair of crossbars. When crossbars are to be used in off-road conditions, please build a safety factor of 1.5 into this load limit. Although the crossbars are tested and approved to AS1235-2000, off-road conditions can be much more rigorous. However, increasing the number of crossbars does not increase the vehicles maximum permissible roof loading.

**Please refer to your vehicle manufacturers handbook for the maximum roof loading allowable for your make and model vehicle. Always use the lower of the two figures**

**Note for Dealers and Fitters:**

It is your responsibility to ensure instructions are given to the end user or client.

Rhino-Rack  
3 Pike Street, Rydalmere,  
NSW 2116, Australia.  
(Ph) (02) 9638 4744  
(Fax) (02) 9638 4822

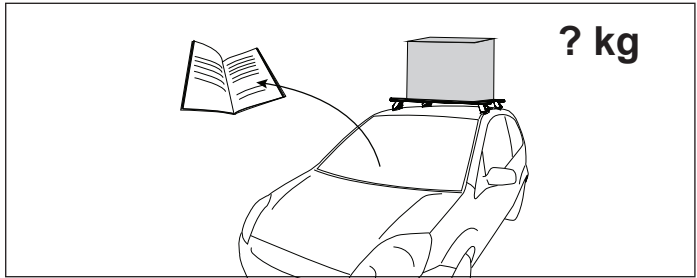
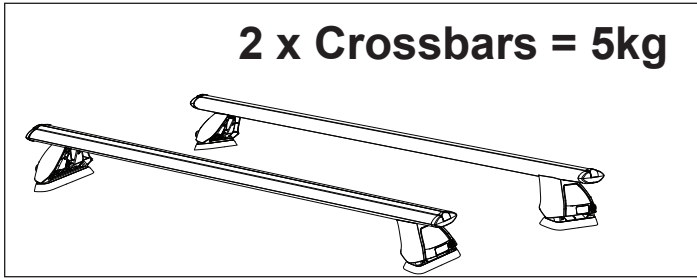
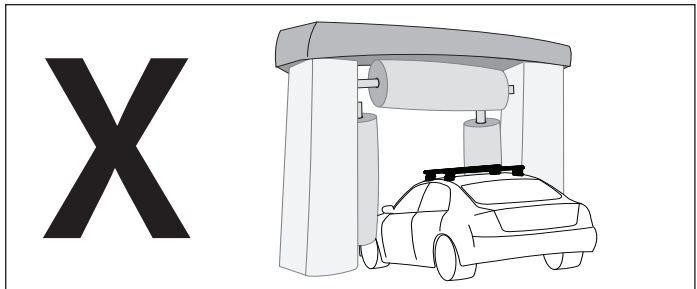
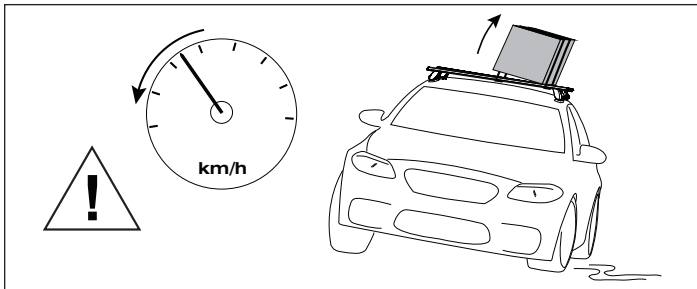
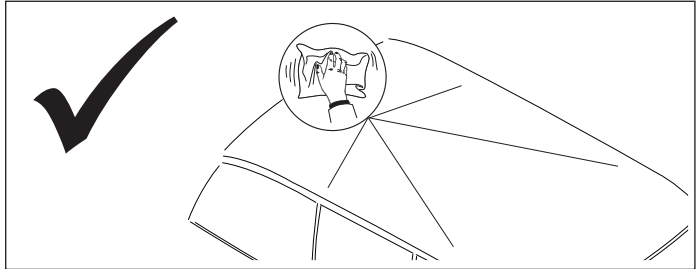
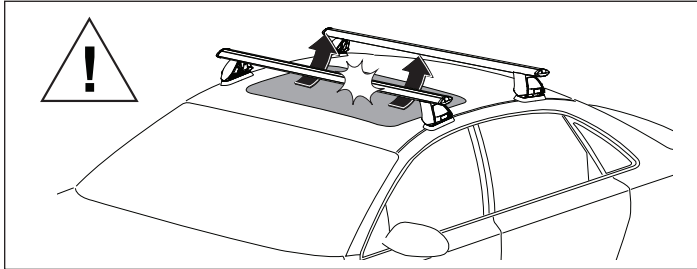
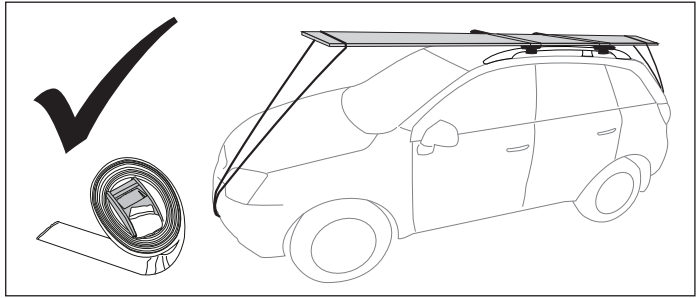
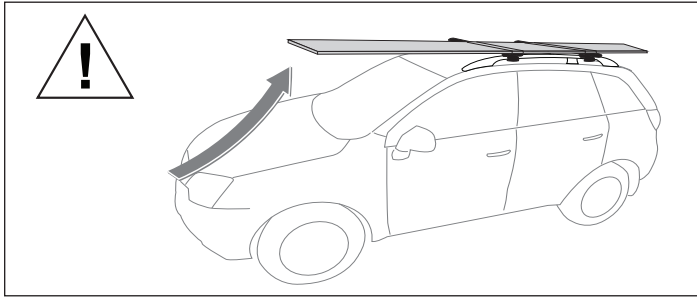
Document No: R474  
Prepared By: Kayle Everett  
Authorised By: Chris Murty

Issue No: 06  
Issue Date: 26/10/15

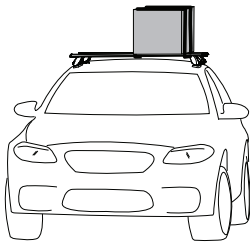
These instructions remain the property of Rhino-Rack Australia Pty. Ltd. and may not be used or changed for any other purpose than intended.



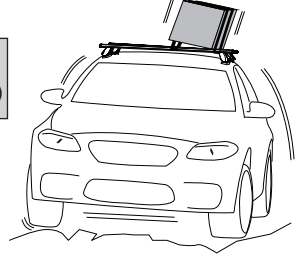
# Quick Mount Track Legs RLT600



When these roof racks are to be used on a vehicle that is driven off sealed roads, the manufacturer maximum roof load rating (to be found in the vehicles User Manual) should be **divided by 1.5**. Do not forget to subtract 5kg from your maximum carrying capacity due to the weight of the crossbars and legs.

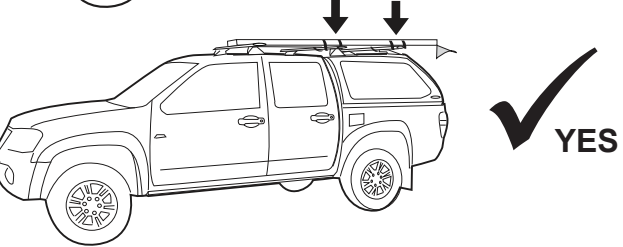
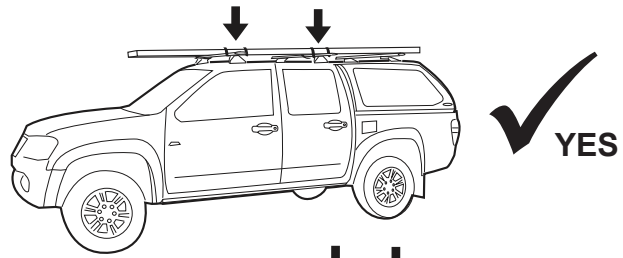
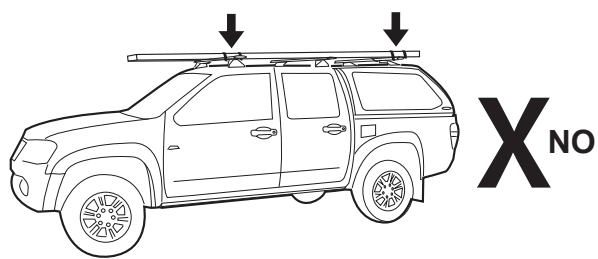


$$100\text{kg load rating (Urban road)} = 67\text{ kg load rating (Off road - } 50\text{kg} / 1.5)$$



## WARNING! Important Load Carrying Instructions

With utility vehicles, the cabin and the canopy move independently. Roof racks and vehicle can be damaged if the item transported is rigidly fixed at points on both the cabin and canopy. Instead, rigidly fix to either the cabin roof racks or the canopy roof racks.





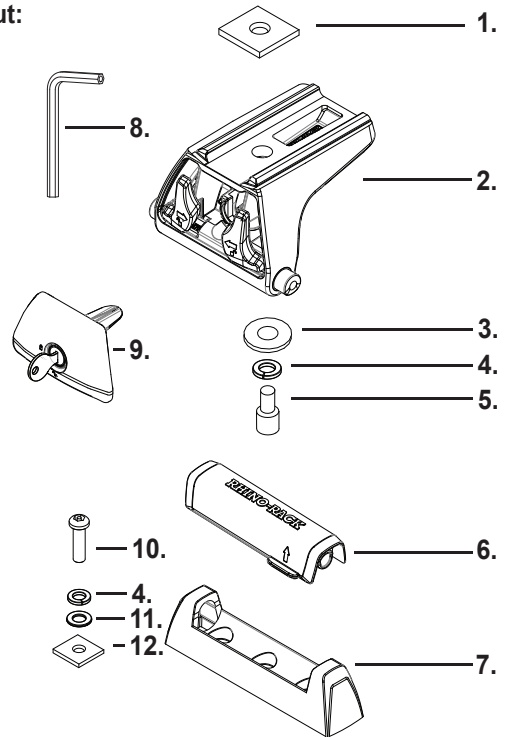
# Quick Mount Track Legs RLT600

## Parts List

Item	Component Name	Qty	Part No.
1	M6 30x25x5 Nut	4	N035A
2	Track Leg Body	4	M703
3	M6x16x1.6 Flat Washer	4	W031
4	M6 Spring Washer	12	W004
5	M6x20 Socket HD	4	B054
6	Track Leg Base Cover	4	M702
7	Track Leg Base	4	M701
8	5mm Allen Key	1	H021
9	Track Leg Lockable Cover	4	M704
10	M6x16 Button Security Screw	8	B061
11	M6x12.5 Flat Washers	8	W003
12	M6 24x21x4 Nut	8	N057
13	Instructions	1	R474

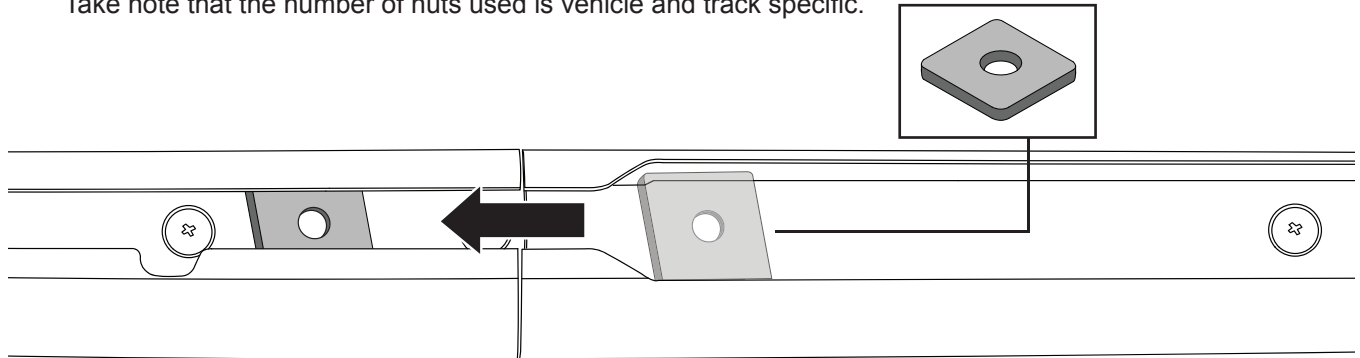
**Tools Required:** Allen Key (provided)  
Metal Key (provided)

### Layout:

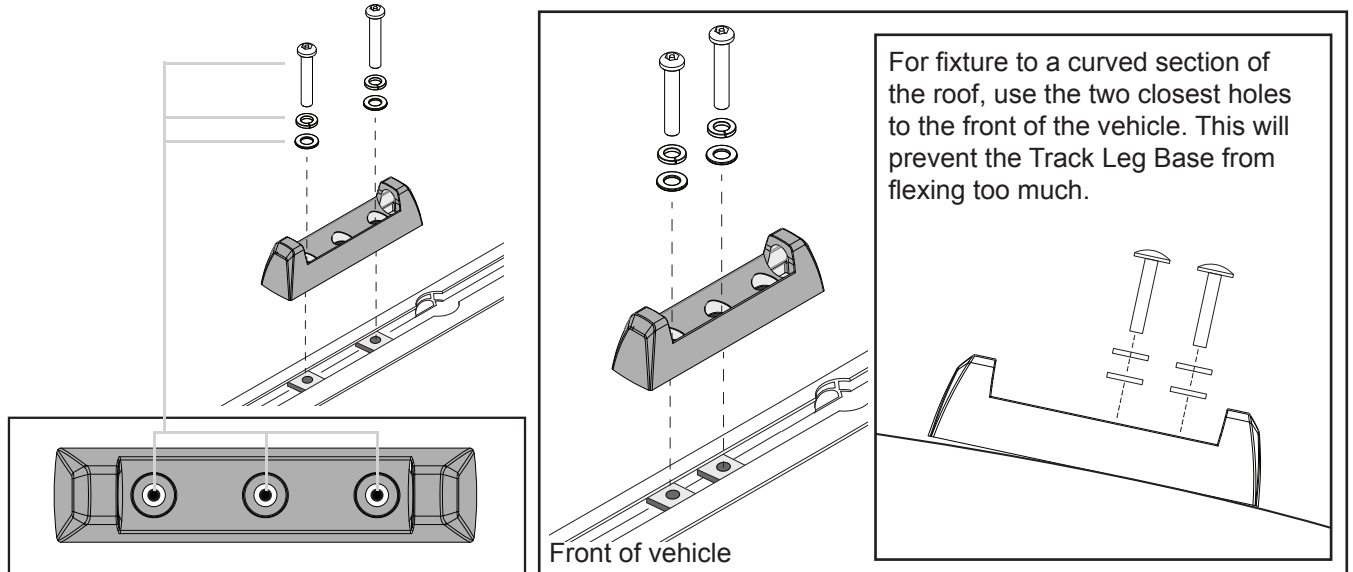


## Instructions

- Place M6 24x21 Hex Nut into the opening of each track at rear of vehicle. Slide along the track to position. Take note that the number of nuts used is vehicle and track specific.



- Place the mounting plate onto the track. Fix in place with security screws, spring and flat washers. Note that the amount of fixing hardware used is dependant on the previous step and vehicle requirements.

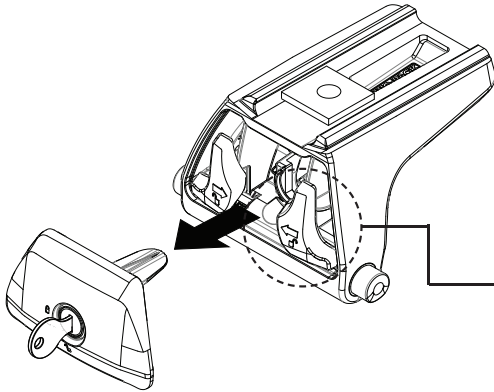




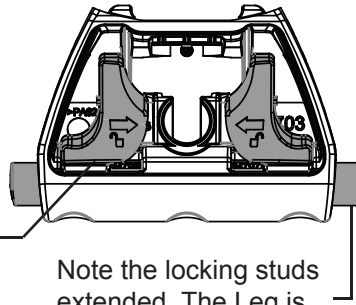
### Quick Mount Track Legs RLT600

**3 Prepare the Leg for installation as follows:** 1 - Remove cover plate. 2 - Locate and Pinch locking levers together. 3 - With levers pinched together, push them backward into a locked position within the leg cavity.

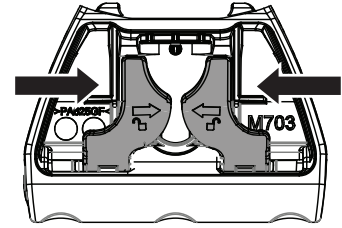
1.



2.



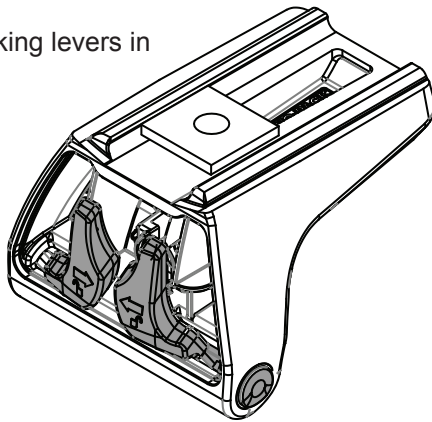
Note the locking studs extended. The Leg is now 'locked'.



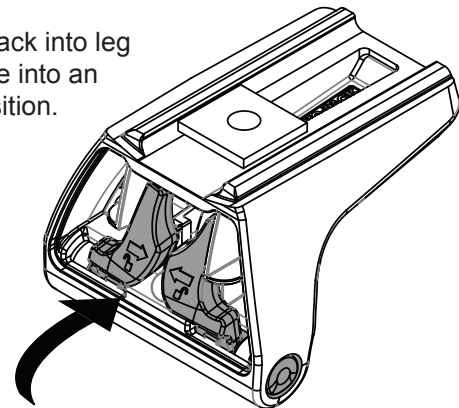
retracted 'unlocked'

3.

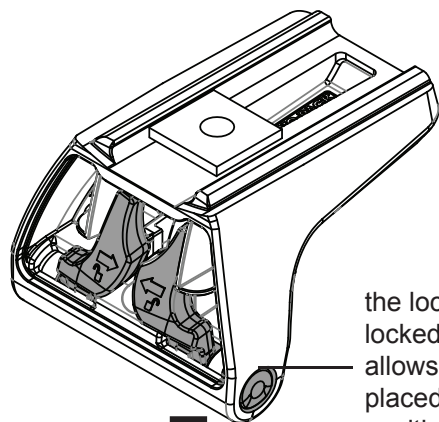
Keep locking levers in position.



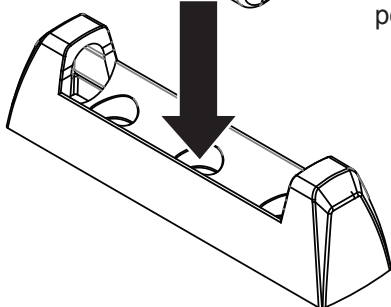
Push levers back into leg cavity to locate into an 'unlocked' position.



**4** With the locking studs now in an 'unlocked' position, insert the leg into the mounting bracket.

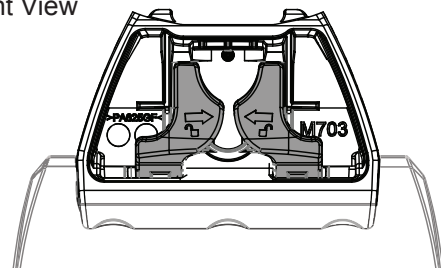


the locking studs are locked inward, this allows the leg to be placed in a mounting position.

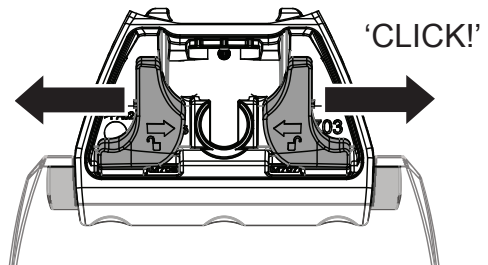


Front View

1.



2.



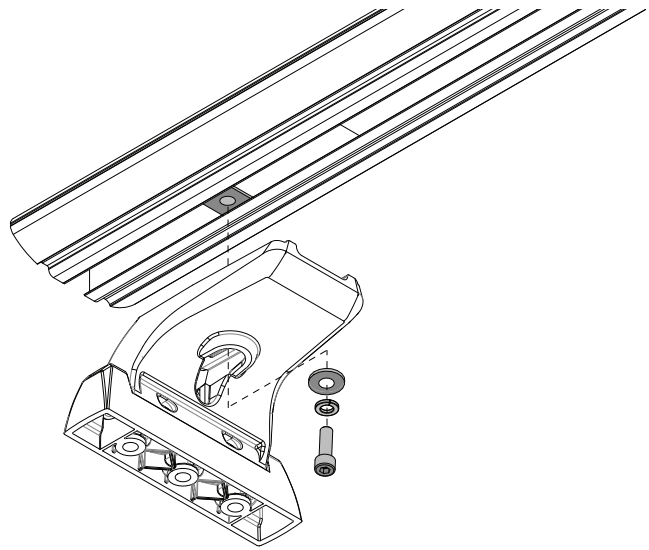
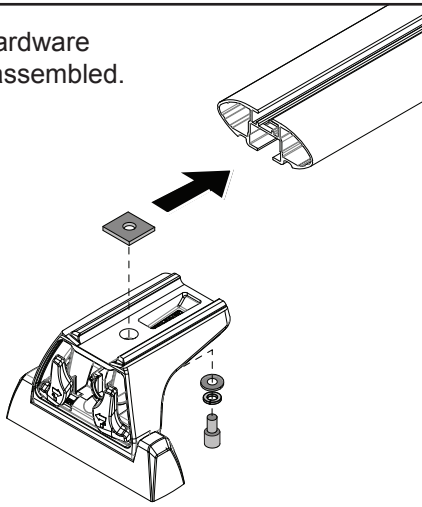
Pull the locking levers forward to their original position. They will spring back pushing the locking studs back outward, fixing the leg into the mount. Ensure both studs are secure in bracket. Apply small amounts of downward pressure if studs do not engage.



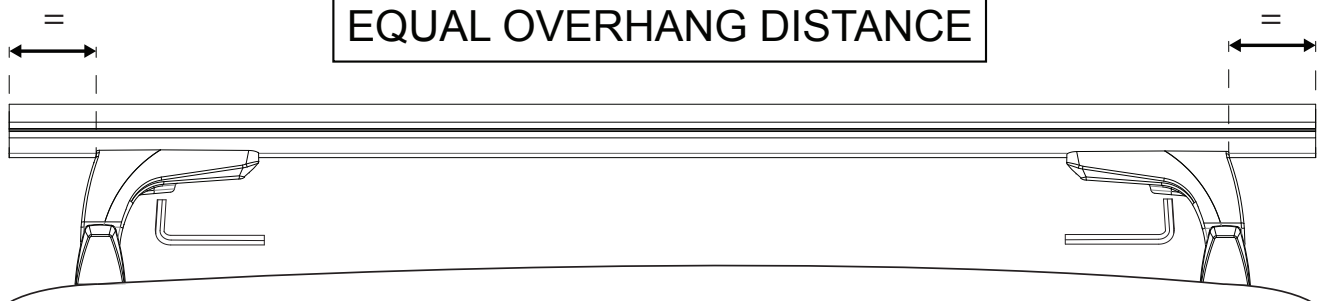
## Quick Mount Track Legs RLT600

- 5** Assemble the leg hardware as shown. Slide the leg into the bar and finger tighten. Repeat for all 4 legs.

Note: Leg hardware comes pre-assembled.



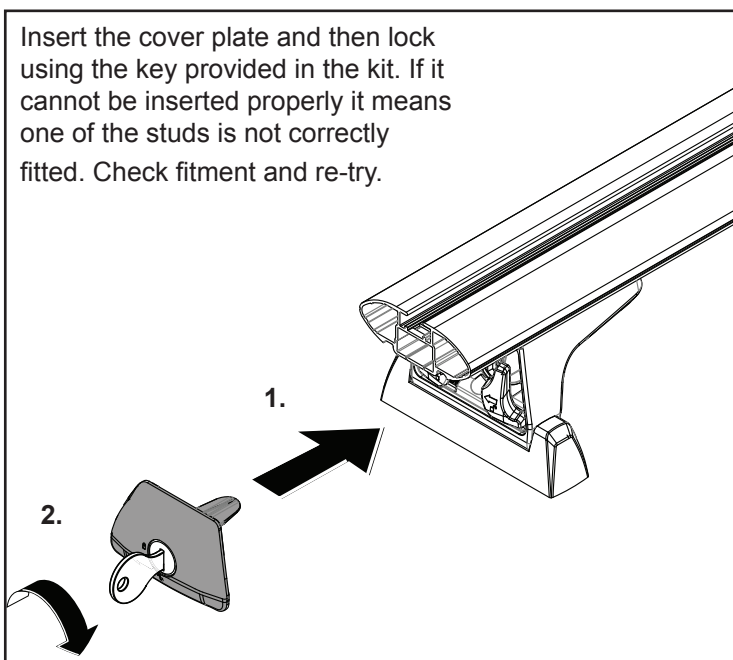
- 6** Check the cross bar over hang is equal on both sides, re-adjust if required. Tighten with a 5mm allen key.



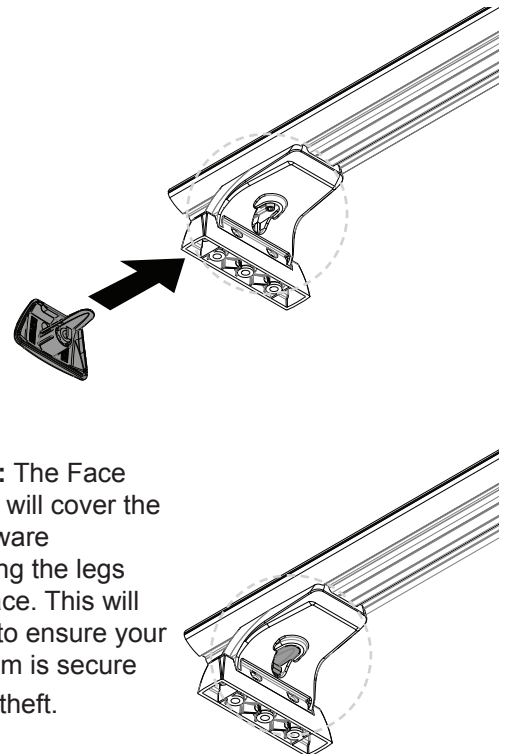
At this point the bar can be removed and the mounting base can be fully tightened if not done so in step 2.

- 7** Insert the Face plate into the leg. Using the key provided, insert and turn clockwise to lock the unit. Remove the key.

Insert the cover plate and then lock using the key provided in the kit. If it cannot be inserted properly it means one of the studs is not correctly fitted. Check fitment and re-try.



**Note:** The Face Plate will cover the hardware holding the legs in place. This will help to ensure your system is secure from theft.

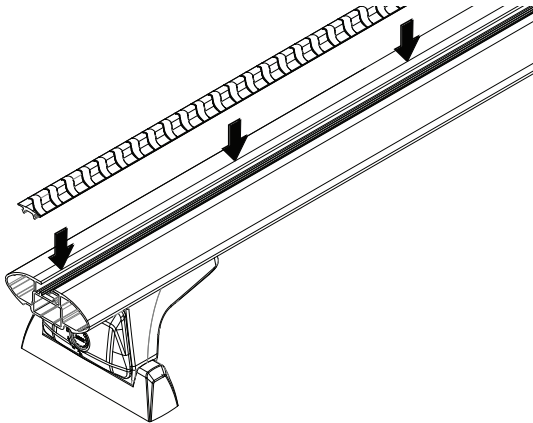




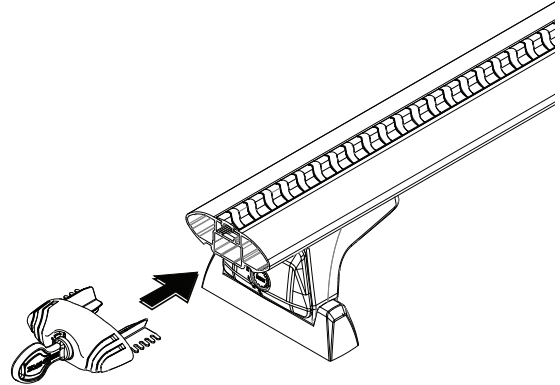


## Quick Mount Track Legs RLT600

- 8** Install the Vortex Rubber Strips. It may be easier to remove bar and complete assembly steps 8,9 and 10.

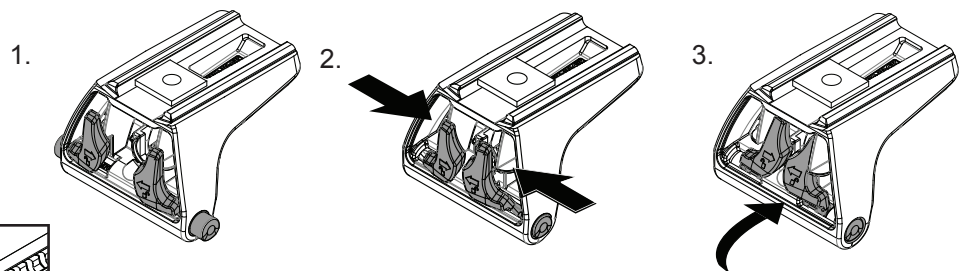


- 9** Insert the end cap. Using the key provided, lock the end cap. Remove the key. Note metal keys can be purchased so they match the RLT600 Leg.

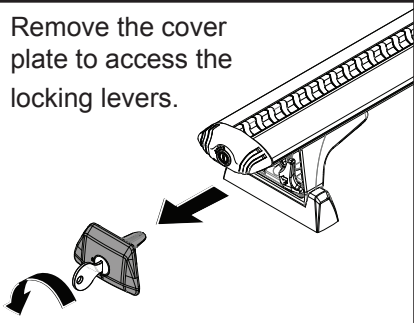


## Removing the Bars

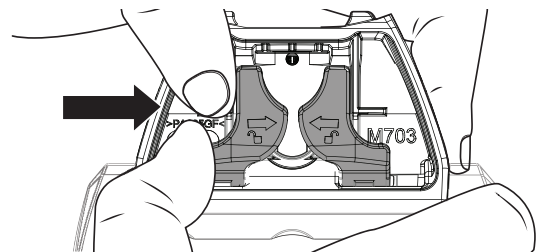
- 1** Remove the cover plate from the legs. Squeeze the locking levers together and push them backward into the leg cavity. Assistance may be required.



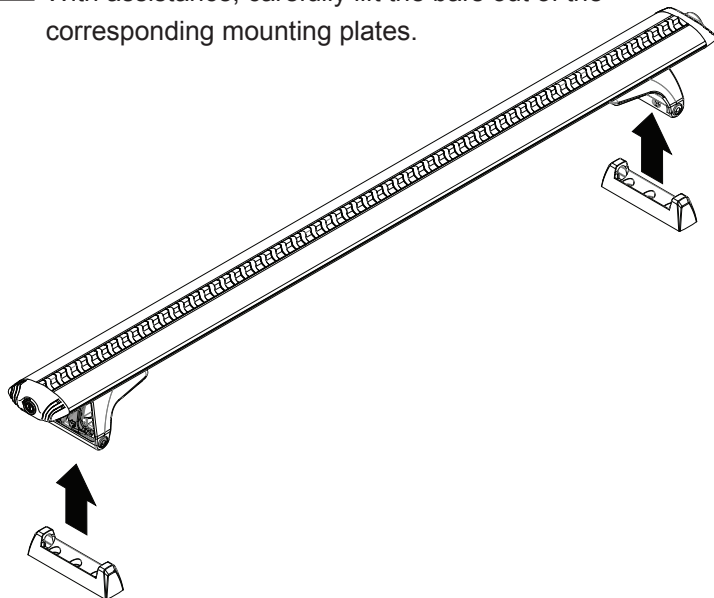
Remove the cover plate to access the locking levers.



**Note:**  
Use two hands to push in the locking levers if tight. Do not use a screw driver as this may damage the levers.



- 2** With assistance, carefully lift the bars out of the corresponding mounting plates.



Attach Leg Base Cover when not in use.

