



TJ 4" Suspension Systems

www.teraflex.com



Important Notes:

Prior to beginning this or any installation read these instructions to familiarize yourself with the required steps and evaluate if you are experienced and capable to personally perform these modifications. A factory service manual should be used in conjunction with these installation instructions.

This product will change the handling characteristics of your vehicle, drive with caution. A full four-wheel alignment is required after the installation of this product. We recommend your local, ASE Certified mechanic.

Refer to the parts list to ensure that all necessary components and hardware has been included. If any parts are missing please contact your local TeraFlex dealer for assistance.

Kit #1456452 (w/ Shocks)
 #1456450 (w/o Shocks)



Boxes Received

| Spring Box | |
|------------------------------|------------------|
| Springs | 2 Front; 2 Rear |
| Extended Rear Sway Bar Links | 2 |
| Transfer Case Drop Kit | 1 Kit; 6 Spacers |
| Front Quick Disconnect Links | 1 Kit |
| Drop Pitman Arm | 1 |
| Bumpstop Extensions | 2 Front; 2 Rear |
| Rear Track Bar Bracket | 1 |
| Hardware Bag | 2 |

| Track Bar Box | |
|----------------------------|---|
| Adjustable Front Track Bar | 1 |

| Flexarm Box | |
|--------------------------|---|
| Lower Control Arms | 4 |
| Front Upper Control Arms | 2 |
| Rear Upper Control Arms | 2 |

| Shock Box (Kit #1456452 Only) | |
|-------------------------------|-----------------|
| Shocks | 2 Front; 2 Rear |

Carefully check this list prior to beginning the installation. If any parts are missing please contact your local Teraflex dealer for assistance. See installation instructions for more detailed parts lists.



TJ 4" Suspension System with 8 FlexArms

Master Installation Check-List

www.teraflex.com

- #1456452
(w/ Shocks)
#1456450
(w/o Shocks)
- Remove the Front Track Bar (See: 999103 Front Track Bar/Removal)
 - Remove Front Sway Bar Links (See: 999127 Quick Disconnects/Removal)
 - Remove Front Shocks (See: 999188 Shocks/Front Removal)
 - Remove Front Springs (See:999187 Springs/Front Removal)
 - Remove And Install Lower Control Arms (See: 999189 Lower Control Arms/Front)
 - Remove And Install Upper Control Arms (See: 999196 Upper Control Arms/Front)
 - Install Front Bumpstop Extensions (See: 999192 Bumpstop Extensions/Front/Installation)
 - Install New Front Springs (See: 999187 Springs/Front Installation)
 - Install Front New or Existing Shocks (See: 999188 Shocks/Front Installation)
 - Install New Pitman Arm (See: 999194 Pitman Arm Installation)
 - Install New Front Track Bar (See: 999103 Front Track Bar/Installation)
 - Install New Quick Disconnect Links (See: 999127 Quick Disconnects/Installation)
 - Remove Rear Track Bar (See: 999195 Rear Track Bar Bracket/Removal)
 - Remove Rear Sway Bar Links (See: 999191 Rear Sway Bar Link/Removal)
 - Remove Rear Shocks (See: 999188 Shocks Rear Removal)
 - Remove Rear Springs (See: 999187 Springs/Rear Removal)
 - Remove and Install Lower Control Arms (See: 999189 Lower Control Arms/Rear)
 - Remove and Install Upper Control Arms (See: 999196 Upper Control Arms/Rear)
 - Install Rear Bumpstop Extensions (See: 999192 Rear/Installation)
 - Install New Rear Springs (See: 999187 Springs/Rear Installation)
 - Install New or Existing Rear Shocks (See: 999188 Shocks/Rear Installation)
 - Install Rear Track Bar Bracket (See: 999195 Rear Track Bar Bracket/Installation)
 - Install New Rear Sway Bar Links (See: 999191 Rear Sway Bar Links/Installation)
 - Install Transfer Case Drop (See: 999190 Transfer Case Drop Installation)

Kit #1456432 (w/ Shocks)
 #1456430 (w/o Shocks)



Boxes Received

| Spring Box | |
|------------------------------|------------------|
| Springs | 2 Front; 2 Rear |
| Rear Sway Bar Links | 2 |
| Transfer Case Drop Kit | 1 Kit; 6 Spacers |
| Front Quick Disconnect Links | 1 Box |
| Drop Pitman Arm | 1 |
| Bumpstop Extensions | 2 Front; 2 Rear |
| Rear Track Bar Bracket | 1 |
| Hardware Bag | 2 |

| Flexarm Box | |
|--------------------|---|
| Lower Control Arms | 4 |

| Shock Box (Kit #1456432 Only) | |
|-------------------------------|-----------------|
| Shocks | 2 Front; 2 Rear |

Carefully check this list prior to beginning the installation. If any parts are missing please contact your local Teraflex dealer for assistance. See installation instructions for more detailed parts lists.



TJ 4" Suspension System with 4 FlexArms

Master Installation Check-List

www.teraflex.com

- Kit #1456432
(w/ Shocks)
#1456430
(w/o Shocks)
- Remove the Front Track Bar (See: Page 10)
 - Remove Front Sway Bar Links (See: 999127 Quick Disconnects/Removal)
 - Remove Front Shocks (See: 999188 Shocks/Front Removal)
 - Remove Front Springs (See: 999187 Springs/Front Removal)
 - Remove And Install Lower Control Arms (See: 999189 Lower Control Arms/Front)
 - Install Front Bumpstop Extensions (See: 999192 Bumpstop Extensions/Front/Installation)
 - Install New Front Springs (See: 999187 Springs/Front Installation)
 - Install Front New or Existing Shocks (See: 999188 Shocks/Front Installation)
 - Install New Pitman Arm (See: 999194 Pitman Arm Installation)
 - Install Front Track Bar (See: Page 10)
 - Install New Quick Disconnect Links (See: 999127 Quick Disconnects/Installation)
 - Remove Rear Track Bar (See: 999195 Rear Track Bar Bracket/Removal)
 - Remove Rear Sway Bar Links (See: 999191 Rear Sway Bar Link/Removal)
 - Remove Rear Shocks (See: 999188 Shocks Rear Removal)
 - Remove Rear Springs (See: 999187 Springs/Rear Removal)
 - Remove and Install Lower Control Arms (See: 999189 Lower Control Arms/Rear)
 - Install Rear Bumpstop Extensions (See: 999192 Rear/Installation)
 - Install New Rear Springs (See: 999187 Springs/Rear Installation)
 - Install New or Existing Rear Shocks (See: 999188 Shocks/Rear Installation)
 - Install Rear Track Bar Bracket (See: 999195 Rear Track Bar Bracket/Installation)
 - Install New Rear Sway Bar Links (See: 999191 Rear Sway Bar Links/Installation)
 - Install Transfer Case Drop (See: 999190 Transfer Case Drop Installation)

Kit #1241450 (w/ Shocks)

#1141450 (w/o Shocks)



Boxes Received

| Spring Box | |
|------------------------------|------------------|
| Springs | 2 Front; 2 Rear |
| Rear Sway Bar Links | 2 |
| Transfer Case Drop Kit | 1 Kit; 6 Spacers |
| Front Quick Disconnect Links | 1 Box |
| Drop Pitman Arm | 1 |
| Bumpstop Extensions | 2 Front; 2 Rear |
| Rear Track Bar Bracket | 1 |
| Hardware Bag | 2 |

| Shock Box (Kit #1241450 Only) | |
|-------------------------------|-----------------|
| Shocks | 2 Front; 2 Rear |

Carefully check this list prior to beginning the installation. If any parts are missing please contact your local Teraflex dealer for assistance. See installation instructions for more detailed parts lists.



TJ 4" Suspension Lift Kit

Master Installation Check-List

www.teraflex.com

- Kit #1241450 (w/ Shocks)
 #1141450 (w/o Shocks)
- Remove the Front Track Bar (See: Page 10)
 - Remove Front Sway Bar Links (See: 999127 Quick Disconnects/Removal)
 - Remove Front Shocks (See: 999188 Shocks/Front Removal)
 - Remove Front Springs (See: 999187 Springs/Front Removal)
 - Install Front Bumpstop Extensions (See: 999192 Bumpstop Extensions/Front/Installation)
 - Install New Front Springs (See: 999187 Springs/Front Installation)
 - Install Front New or Existing Shocks (See: 999188 Shocks/Front Installation)
 - Install New Pitman Arm (See: 999194 Pitman Arm Installation)
 - Install Front Track Bar (See: Page 10)
 - Install New Quick Disconnect Links (See: 999127 Quick Disconnects/Installation)
 - Remove Rear Track Bar (See: 999195 Rear Track Bar Bracket/Removal)
 - Remove Rear Sway Bar Links (See: 999191 Rear Sway Bar Link/Removal)
 - Remove Rear Shocks (See: 999188 Shocks Rear Removal)
 - Remove Rear Springs (See: 999187 Springs/Rear Removal)
 - Install Rear Bumpstop Extensions (See: 999192 Rear/Installation)
 - Install New Rear Springs (See: 999187 Springs/Rear Installation)
 - Install New or Existing Rear Shocks (See: 999188 Shocks/Rear Installation)
 - Install Rear Track Bar Bracket (See: 999195 Rear Track Bar Bracket/Installation)
 - Install New Rear Sway Bar Links (See: 999191 Rear Sway Bar Links/Installation)
 - Install Transfer Case Drop (See: 999190 Transfer Case Drop Installation)

Kit #1141400



Box Contents

| Spring Box | |
|------------------------|------------------|
| Springs | 2 Front; 2 Rear |
| Rear Sway Bar Links | 2 |
| Transfer Case Drop Kit | 1 Kit; 6 Spacers |
| Drop Pitman Arm | 1 |
| Bumpstop Extensions | 2 Front; 2 Rear |
| Rear Track Bar Bracket | 1 |
| Hardware Bag | 2 |

Carefully check this list prior to beginning the installation. If any parts are missing please contact your local Teraflex dealer for assistance. See installation instructions for more detailed parts lists.



TJ 4" Suspension Lift Kit w/o Quick Disconnects

Master Installation Check-List

www.teraflex.com

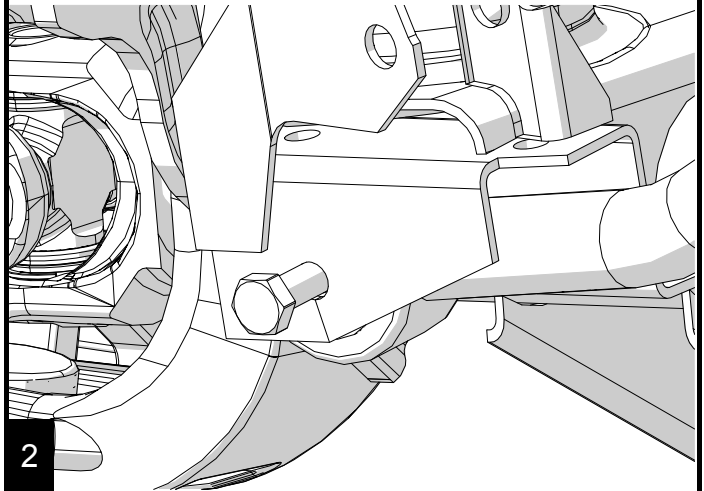
Kit #1141400

- Disconnect the Front Track Bar (See: Page 10)
- Disconnect Front Sway Bar Links (See: 999127 Quick Disconnects/Removal)
- Remove Front Shocks (See: 999188 Shocks/Front Removal)
- Remove Front Springs (See: 999187 Springs/Front Removal)
- Install Front Bumpstop Extensions (See: 999192 Bumpstop Extensions/Front/Installation)
- Install New Front Springs (See: 999187 Springs/Front Installation)
- Install Front New or Existing Shocks (See: 999188 Shocks/Front Installation)
- Install New Pitman Arm (See: 999194 Pitman Arm Installation)
- Drill and Reconnect the Front Track Bar (See: Page 10)
- Reconnect Front Sway Bar Links (See: 999127 Quick Disconnects/Installation)
- Remove Rear Track Bar (See: 999195 Rear Track Bar Bracket/Removal)
- Remove Rear Sway Bar Links (See: 999191 Rear Sway Bar Link/Removal)
- Remove Rear Shocks (See: 999188 Shocks Rear Removal)
- Remove Rear Springs (See: 999187 Springs/Rear Removal)
- Install Rear Bumpstop Extensions (See: 999192 Rear/Installation)
- Install New Rear Springs (See: 999187 Springs/Rear Installation)
- Install New or Existing Rear Shocks (See: 999188 Shocks/Rear Installation)
- Install Rear Track Bar Bracket (See: 999195 Rear Track Bar Bracket/Installation)
- Install New Rear Sway Bar Links (See: 999191 Rear Sway Bar Links/Installation)
- Install Transfer Case Drop (See: 999190 Transfer Case Drop Installation)

REMOVAL

This install can be performed with the vehicle sitting on the ground. Park the vehicle on a level surface and set the parking brake.

Remove from the axle bracket with either a T50 torx or a 17mm.

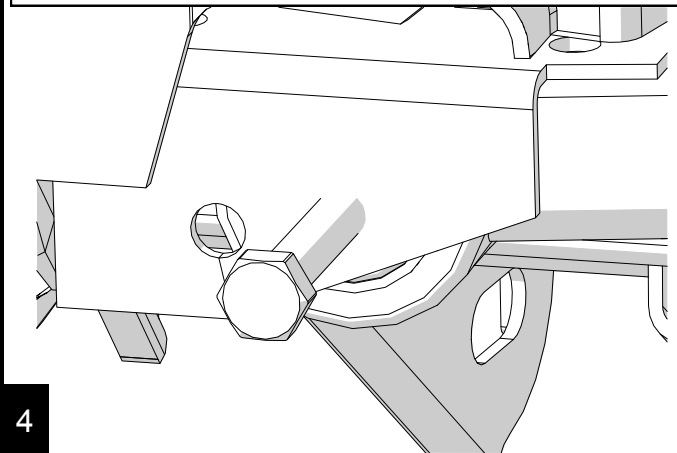
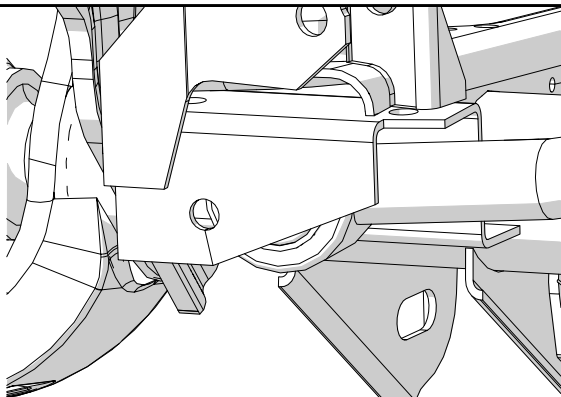


1

INSTALLATION

With the steering wheel centered, bounce the Jeep up and down. Use the bumper for this. Without moving any other components, raise the end of the track bar up into its mounting bracket.

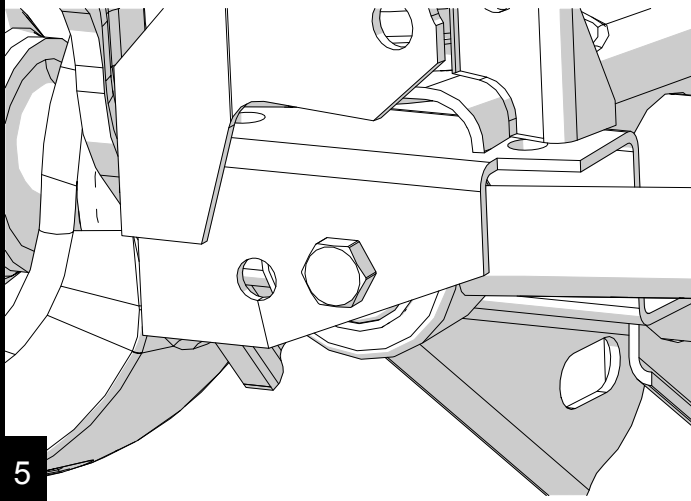
If you have room in the bracket so the hole does not overlap, go ahead and drill a hole with a 13/32" drill bit. If you drilled in the correct location the bar should line up with the new hole.



3

4

Insert the new 10mm x 75mm bolt. Torque to 40 ft-lbs.



5

PRODUCT INFORMATION

MAINTENANCE INFORMATION:

It is the buyer's responsibility to have all suspension, drivetrain, steering, and other components checked for proper tightness and torque after the first 100 miles and every 3000 miles after that.

NOTICE TO INSTALLER:

The enclosed "Warning to Driver" sticker must be installed in the vehicle in driver's view. This sticker is to act as a constant safety reminder when operating the vehicle. It is your responsibility as the equipment installer to install the provided sticker and to forward the product instructions to the vehicle's owner for review. If a "Warning to Driver" sticker or product installation guide were not included in the kit, FREE replacement stickers and instructions are available by request. It is the installer's duty to ensure a safe and controllable vehicle after the modifications have been performed.

WARNING:

Neither the seller nor the manufacturer will be liable for any loss, damage, or injury directly or indirectly arising from the use of or inability to determine the use of these products. Before using, the user shall determine the suitability of the products for its intended use, and the user shall assume all responsibility and risk in connection therewith.

WARNING TO DRIVER:

This vehicle has been modified to enhance off road performance and has unique handling characteristics. Use in harsh environments can cause extreme stress on the components. Vehicle should be inspected after being off road to make sure that all the components are in working order and safe to travel on the highway. All fasteners should be checked so that they are at the correct torque specifications as the vibration and stresses from off roading may cause critical fasteners to work loose. Extra care should be taken to inspect the critical components, steering, and brake systems. During each oil change components such as arms, tie rod ends, etc should be greased and checked for excessive wear. Any worn components should be replaced. When returning to the pavement always set or restore tire air pressure to the factory recommendation and connect or engage any disabled sway bar mechanisms. Because of the higher center of gravity and larger tires, this vehicle handles and reacts differently than many passenger cars, both on and off road. You must drive it safely! Extreme care should be taken to prevent vehicle rollover or loss of control, which can result in serious injury or death. Avoid sudden sharp turns or abrupt maneuvers. Generally, braking performance and capabilities are decreased when significantly larger/heavier tires are used, especially when used in combination with transfer case low-range reduction kits. Take this into consideration while driving. Do not add, alter or fabricate any factory or aftermarket parts to increase vehicle height over the intended height of the TeraFlex product purchased. Mixing component brand is not recommended. TeraFlex Inc. will not be responsible for any altered product or any improper installation or use of our products. We will be happy to answer any questions concerning the design, function, and correct use of our products. It is ultimately the buyer's responsibility to have all bolts/nuts checked for tightness after the first 100 miles and then every 3000 miles. Wheel alignment, steering system, suspension and drive line systems must be inspected by a qualified professional mechanic at least every 3000 miles.

TERAFLEX PRODUCT WARRANTY:

TeraFlex Inc. warrants TeraFlex Suspension products to the original retail purchaser to be free of defects in material and workmanship for as long as the original purchaser owns the vehicle on which products were originally installed.

Failure to complete regular maintenance (grease every 3000 miles) on TeraFlex FlexArms will void this warranty. All other conditions of the standard TeraFlex product warranty apply.

All TeraLow products are covered by the TeraFlex two (2) year warranty to be free of defects in material and workmanship for two years from date purchased.

TeraFlex axles are covered by a 12-month warranty to be free of defects in materials and workmanship.

This warranty does not cover or include product finish, improperly installed or applied products, improperly maintained products, products or components used for racing or competition or damage due to abuse or neglect, products that fail due to the use of larger tire and wheel combinations.

All returns must be accompanied by an original invoice. It is the customer's responsibility to remove the product from the vehicle. Shipping charges are the responsibility of the customer. TeraFlex Inc. will pay the return freight if the product meets the terms of warranty.

This warranty is for the replacement or repair of defective TeraFlex products only and does not include freight charges, labor charges for removal of or installation of TeraFlex or related products or components, costs incurred due to down time of the vehicle, or lost profits due to vehicle down time.

A returned goods authorization number (RGA#) must accompany any returned products. For more information please contact a TeraFlex customer service representative.

COPYRIGHT

©Copyright 2014. All rights reserved, TeraFlex Inc. Reproduction of this catalog and/or any of its contents without written permission is strictly prohibited.

TeraFlex® is a registered trademark of TeraFlex Inc. All trade names and logos including but not limited to TeraFlex, FlexArms, RockGuard, Monster, and LCG are protected by law and duplication of trade names and/or logos are strictly prohibited.

TeraFlex Inc. reserves the right to update, discontinue, redesign, modify finish, part number or component build parts if deemed necessary without written notice.

TeraFlex Inc., and any associated dealers are not responsible for misprints or typographical errors that may have inadvertently been made within this instruction sheet.

Jeep® and the Jeep® grill are registered trademarks of Fiat Chrysler Automobiles N.V., and have no affiliation with TeraFlex Inc.

TERAFLEX, Inc.
5680 West Dannon Way
West Jordan, Utah 84081
Phone/801.713.3314
Fax/801.713.2313
www.teraflex.com