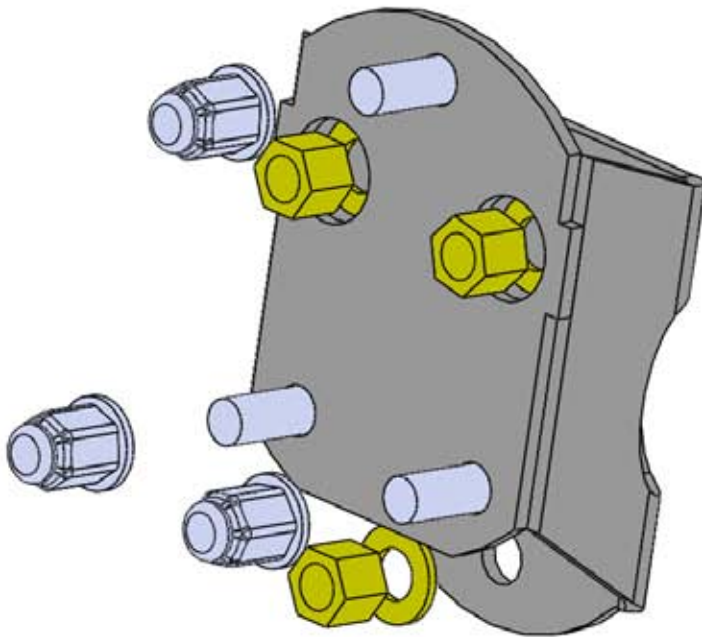




#J5009, J5029 Installation Instructions Jeep Wrangler YJ, TJ and JK Spare Tire Bracket

INSTALLATION INSTRUCTIONS

1. Remove spare tire from the vehicle.
2. Install bracket onto rear door so that the studs are offset 'up,' with 1/2" washers and high nuts. Apply Loctite to the factory wheel mount studs before install the new nuts.
3. Torque high nuts to 85 ft-lbs.
4. Install spare tire onto new bracket with wheel lug nuts. Torque lug nuts to 85 ft-lbs.
5. Recheck after 500 miles.



Kit Contents

Qty	Part
3	1/2" Nuts
3	1/2" Washers
1	Spare Tire Bracket

Difficulty Level

easy (1) 2 3 4 5 difficult

Estimated installation: 0.25 hours