



WILDERNESS™
Accessories
MFG. BY GARVIN INDUSTRIES

**Manufacturers of Specialty Products
for Sport Utility and 4x4 Vehicles**

316 Millar Avenue • El Cajon, CA 92020
Phone 619/440-7415 • FAX 619/440-0851

Wilderness Accessories

Universal Ax or Shovel Mounting Bracket

Part# 29910

Parts List

2-Bottom Support Brackets
2-Top Brackets
2-Top Clamps
4-3/8 x 3 1/2 All Thread Tap Bolts
4-3/8 Lockwashers
4-3/8 Nuts
12-3/8 USS Flatwashers
4-3/8 Wingnuts
2-4" High Side Spacers
4-.360 x 3/8 Black Thread Protectors

Installation Instructions

NOTE!!! System was designed to hold one ax or shovel. The brackets are adjustable to accept most any size shovel or ax.

1. The mounting system will mount to any height Wilderness Roof Rack. See figures 1,2, 3, & 5 for your specific mounting system.
2. When mounting a shovel, the blade must wrap around the corner of the rack for clearance, see figure 4.
3. Install bottom support plate and top bracket to roof rack side. Spread tap bolts to their widest position and tighten as shown in figure 5.
4. Position second bracket about 11" or 12" apart and secure to roof rack side.
5. Install ax or shovel to top bracket and secure with the top clamp and wingnuts, as shown in figure 5.
6. Some adjustment will be required to fit your specific ax or shovel.
7. Re-check tightness of wingnuts on a regular basis or after increased vehicle usage.

FIGURE 1

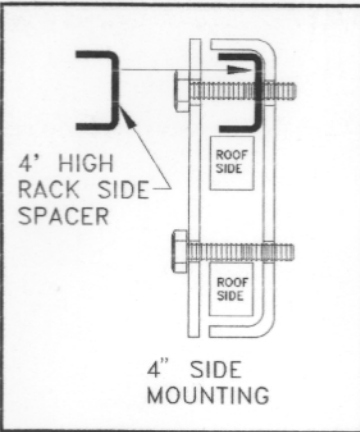


FIGURE 2

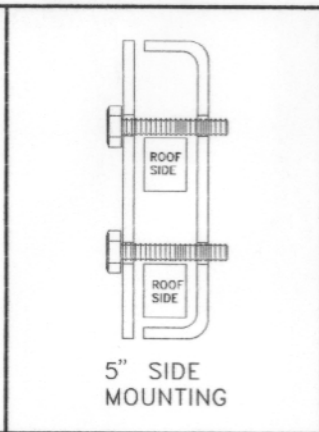


FIGURE 3

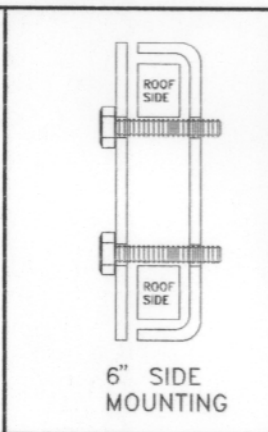


FIGURE 4

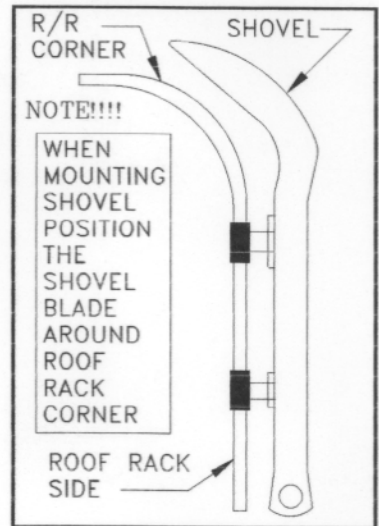


FIGURE 5

