

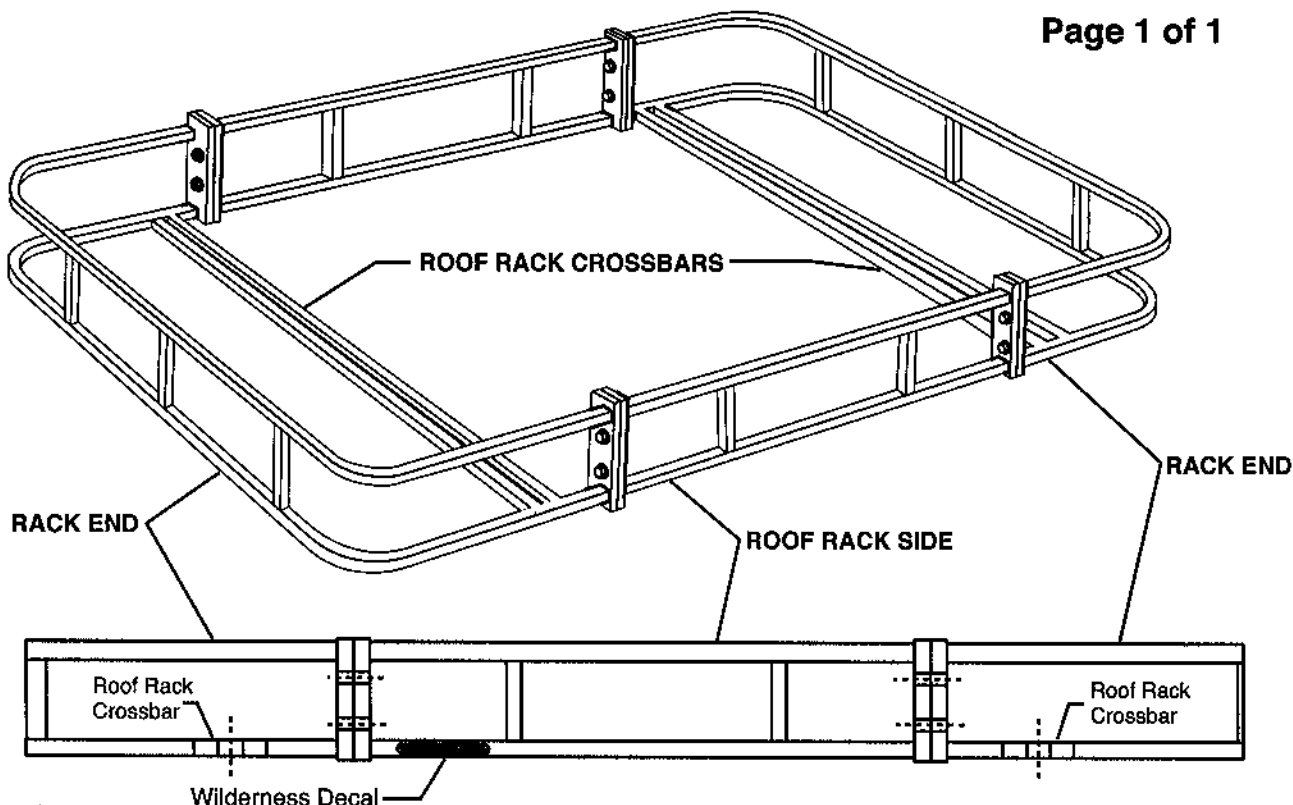
# WILDERNESS OFF ROAD RACK SERIES

General Assembly Instructions

**PART# 40506** Size: 4' x 5' x 6"



Page 1 of 1



### PARTS LIST

- 1- FRONT RACK END (4' x 6")
- 1- REAR RACK END (4' x 6")
- 1- BOLT KIT # 2000
- 2- SIDES ( 36 3/4" x 6" )

### ROOF RACK ASSEMBLY

- 1 - Assemble roof rack ends to roof rack sides as shown in figures A and B.
- 2 - Align and tighten all fasteners.
- 3 - Roof rack flooring and vehicle mounting are shown in their respective installation instructions.

### CAUTION!!! LOADING and WEIGHT CAPACITY

- 1 - Use common sense when loading items on this roof rack.
- 2 - The roof rack will support more weight than the vehicle roof mounting will safely support.
- 3 - As a general rule up to 200 Lbs. evenly distributed is a safe load for this rack.

**LIGHT MOUNTING BRACKET (each)**  
**PART# 88136**

FIGURE A

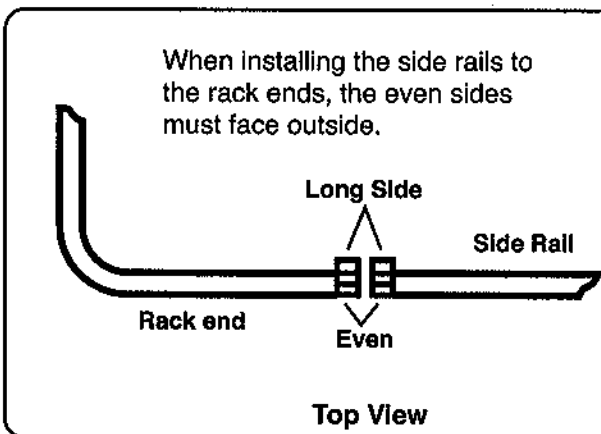
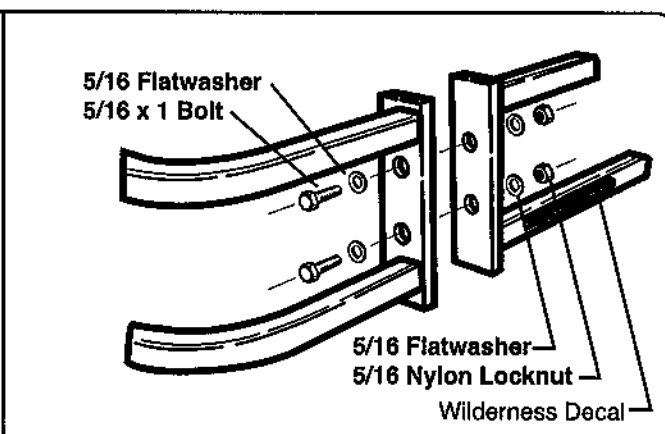


FIGURE B





## Wilderness Track Rack Mounting Kit

Part# 61060

### Parts List

#### Mounting Clamp Assemblies(Each)

-4 Kits Required

- 2-Lower Mount Supports
- 2-Threaded 6mm Nutplates(Silver)
- 1-Middle Pivot Support
- 4-6mm x 16mm Allen Head Bolts
- 4-6mm Lockwashers
- 6-1/4 Flatwashers
- 1-1/4 x 3 1/2 Bolt
- 4-1/4 Nylon Flatwasher(Large 11/16" dia.)
- ~~2-1/4 Nylon Flatwasher(Small 1/2" dia.)~~

#### Roof Rack Top Mounting

- 4-3/8 x 1 1/2 Carriage Bolts
- 4-3/8 H.D. Flatwashers(1 3/8" dia.)
- 4-3/8 Thin Nylon Locknuts

#### Special Tools

- 1-5/32 Allen Wrench

#### Aluminum Track Mounting Kit

- 2-Aluminium Tracks(53" Long)
- 2-Track Gaskets(55" Long)
- 4-Black Plastic End Caps
- 14-1/4 x 1 1/2 Allen Head Bolts(Stainless Steel)
- 14-1/4 x 2 Allen Head Bolts(Stainless Steel)
- 14-1/4 Nylon Flatwashers(Small 1/2" dia.)
- 14-1/4 Flatwashers(large 1 1/4" dia.)
- 14-1/4 Nylon Locknuts
- 14-Vinyl Black Caps

## Installation Instructions(#61060)

1. Assemble roof rack as per instructions. For easier alignment on fiberglass top, do not install flooring at this time.
2. Assemble the mounting clamps, as shown on page 3, figure A. Four mounting clamps are required for this installation.
3. Install the gaskets to the tracks as shown on page 4, figure D.
4. Slide two clamp assemblies into each track, page 3, figure B.
5. Install the roof rack ends to the clamps, as shown on page 5, figure E.
6. Center the two clamps in the track and slightly tighten to hold in place. With some help, set the roof rack assembly on the fiberglass top.
7. The tracks should set toward the outside edge of the top, just to the edge of the double thickness top. Refer to page 4, figure C.
8. Align and center rack on the top. Measure to make sure the tracks are equal and parallel. Mark the end holes of the track for drilling and then remove the rack and track assembly from the roof.
9. Remove tracks from clamps and secure the tracks to the fiberglass top, page 4, figure C.
10. Drill 1/4" dia. holes in the top at the locations where you have marked, refer to line 8. Install bolts to hold tracks in place. Using the existing holes in the track as a guide, drill 1/4" dia holes through the fiberglass top. Secure the track system as shown on page 4, figure C. We have enclosed bolts that are 1 1/2" long and 2" long for various top thickness. Use a silicone sealant around bolts, nylon washers and all holes that are drilled into the fiberglass top. Leave off one black plastic end from each track, so the clamps can slide into track.
11. Slide the mounting clamp assemblies into the track system(two mounts per side), as shown on page 3, figure B.
12. Measure the centerline of the roof rack crossbars and space the mounting clamps the same distance apart. Slightly tighten mounting clamps to hold in place.
13. Re-install the two plastic end caps to tracks and tighten.
14. Install flooring kit as per instructions. Leave the two outside floors on each side loose for adjustment to clear mounting bolts.
15. With some help, set the assembled roof rack on the mounting brackets and secure as shown on page 5, figure E.
16. After roof rack is installed and centered, adjust the outside floors to clear the mounting bolts. Tighten flooring as shown in floor instructions.
17. Align and center rack and tighten all hardware. Depending on fiberglass top roof thickness, the bolts that hold the tracks on may have to be shortened. If this is required, cut the end of the bolt, and leave enough of the bolt showing that the vinyl cover can be installed.
18. **CAUTION!!! LOADING AND WEIGHT CAPACITY**, use common sense when loading items on this roof rack. The roof rack will support more weight than the vehicle roof mounting will safely support. Use manufacturers weight limits as a guide for loading this roof rack.

# WILDERNESS TRACK MOUNTING

## FIBERGLASS TOP MOUNTING

PART # 61060



PAGE 3 OF 5

FIGURE A MOUNTING CLAMP ASSEMBLY

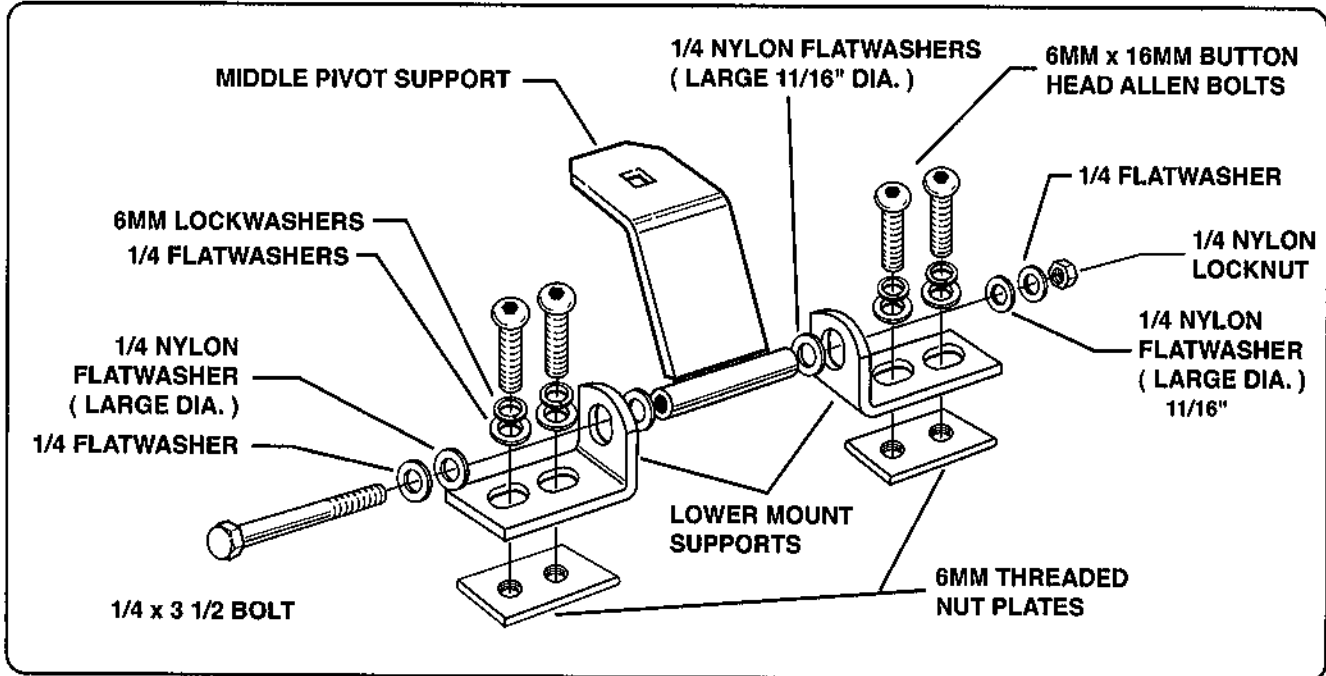
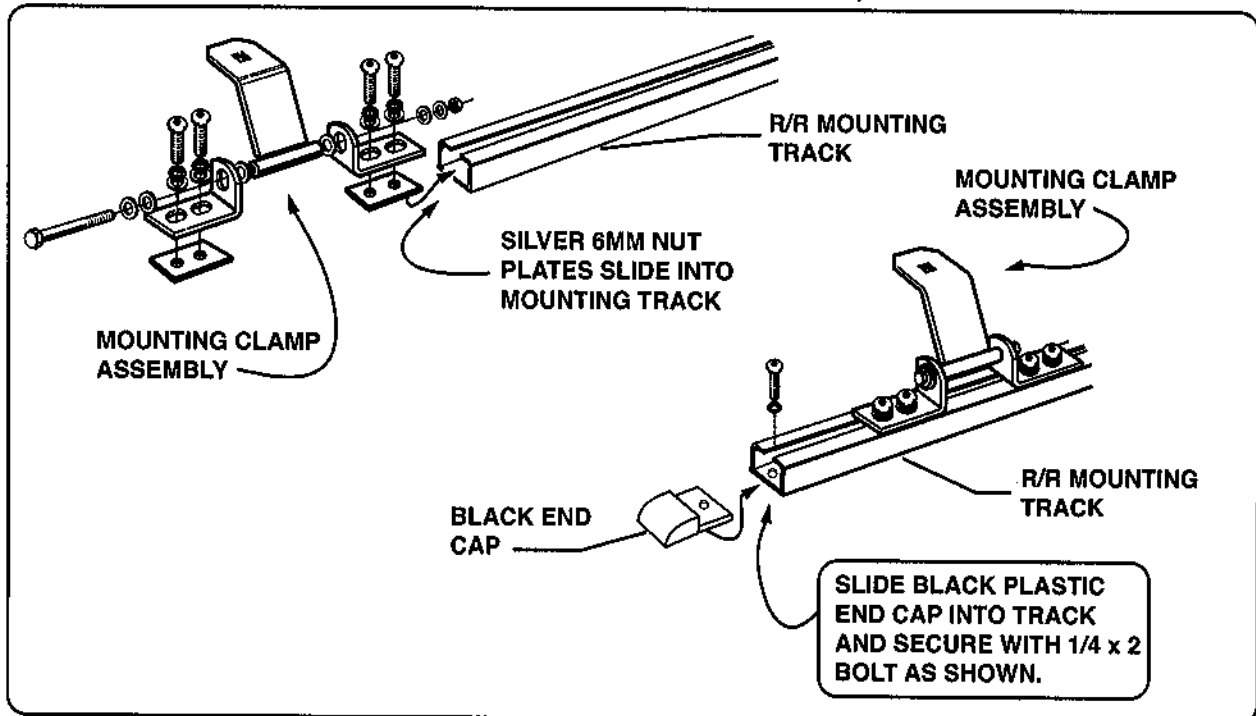


FIGURE B (CLAMP ASSEMBLY INTO TRACK)



# WILDERNESS TRACK MOUNTING

## FIBERGLASS TOP MOUNTING



PART# 61060

PAGE 4 OF 5

FIGURE C

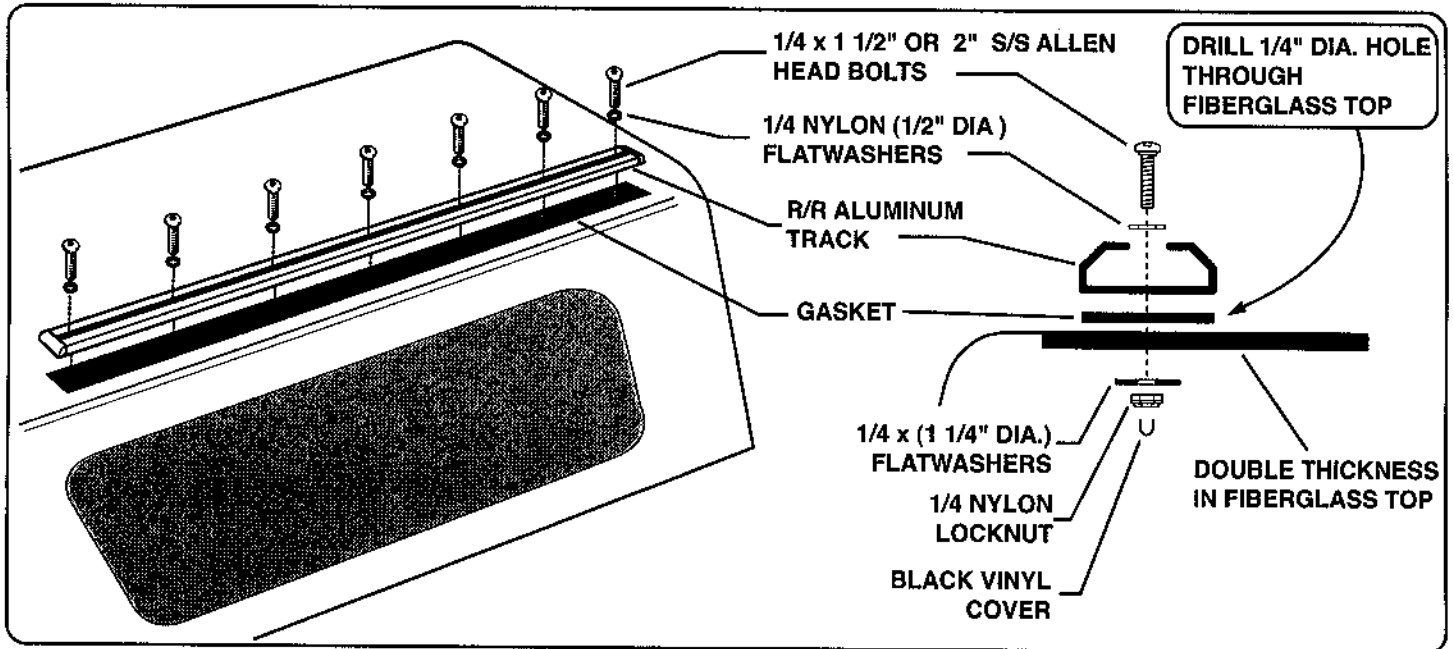
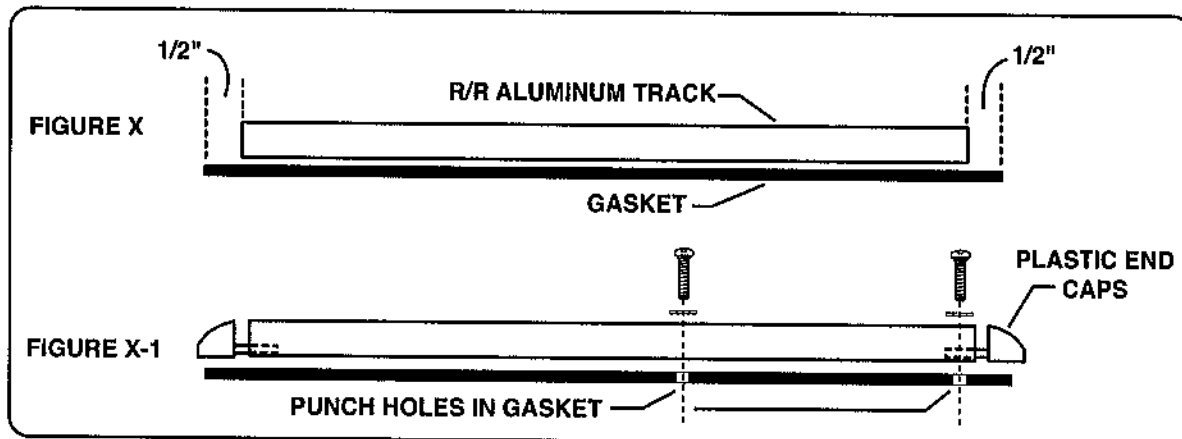


FIGURE D

(SIDE VIEW)



### GASKET INSTALLATION

- 1 - REMOVE THE WHITE BACKING FROM THE GASKET MATERIAL. INSTALL THE STICKY SIDE OF THE GASKET TO THE BOTTOM OF THE TRACK, LEAVING 1/2" OF GASKET PAST THE END OF THE TRACK (REFER TO FIGURE X) AND TRIMMING THE OTHER END OF THE GASKET TO 1/2" PAST THE TRACK. ( THE 1/2" OF GASKET IS SO THE END CAP WILL HAVE GASKET MATERIAL UNDER IT ).
- 2 - PUNCH OR DRILL A 1/4" DIA. HOLE THROUGH THE GASKET MATERIAL AT THE RESPECTIVE HOLES IN THE ALUMINUM TRACK, THIS WILL MAKE MARKING THE HOLES EASIER WHEN THE ROOF RACK AND TRACK ASSEMBLY ARE POSITIONED ON THE FIBERGLASS TOP, REFER TO FIGURE X-1.

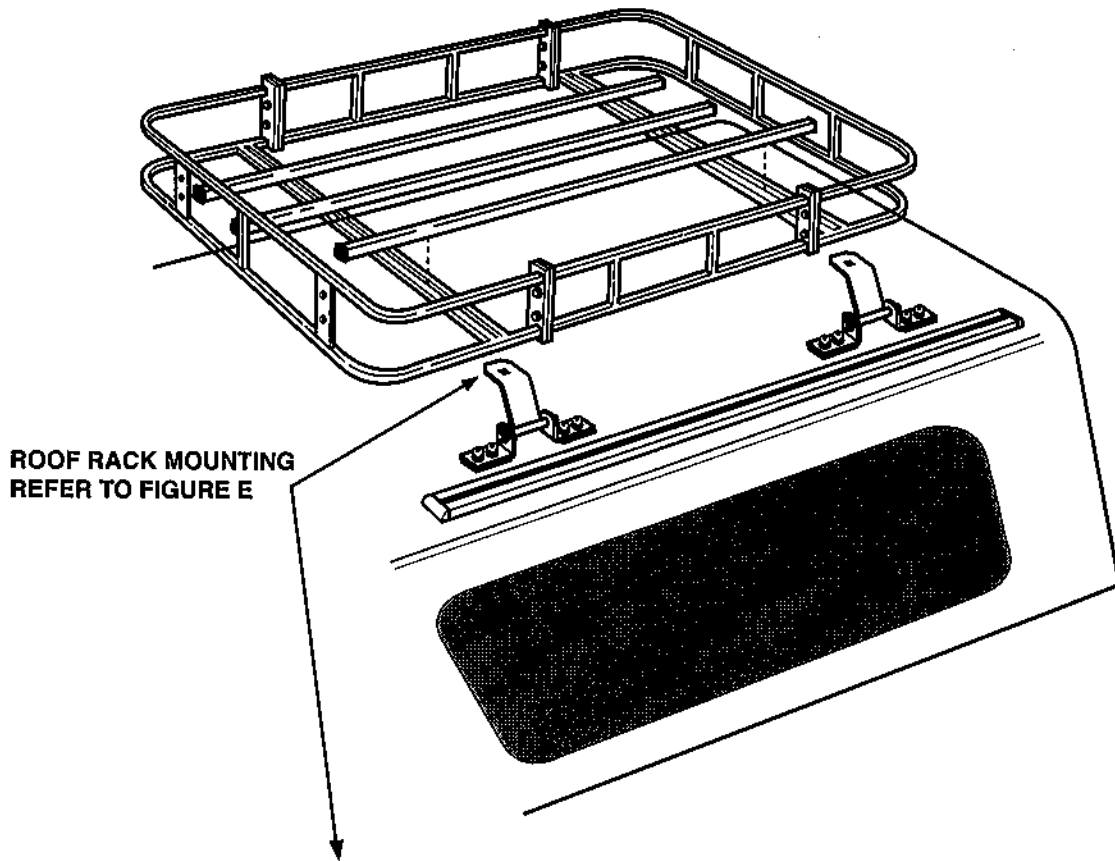
# WILDERNESS TRACK MOUNTING

FIBERGLASS TOP MOUNTING

PART # 61060

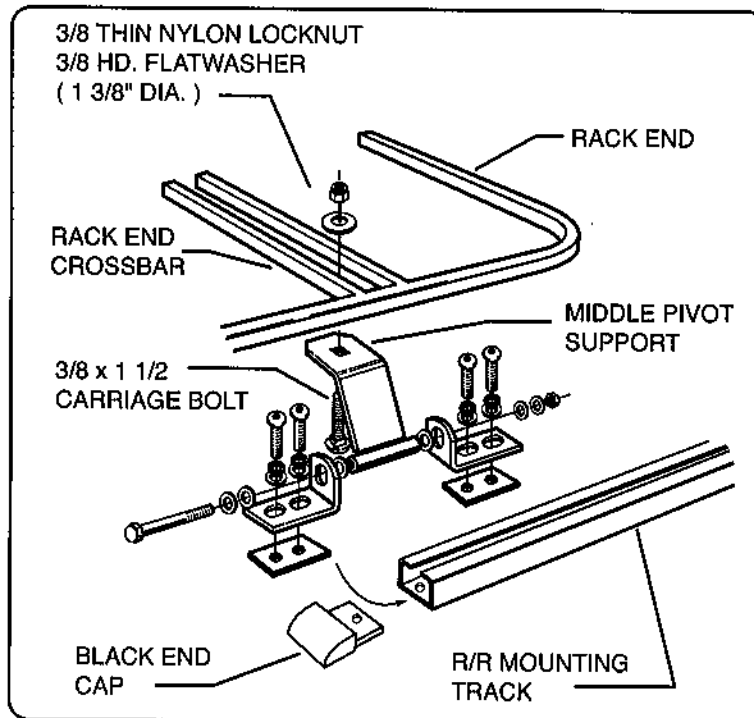


PAGE 5 OF 5



ROOF RACK MOUNTING  
REFER TO FIGURE E

**FIGURE E ( RACK END MOUNTING )**



# WILDERNESS ROOF RACK FLOORING

## General Assembly Instructions

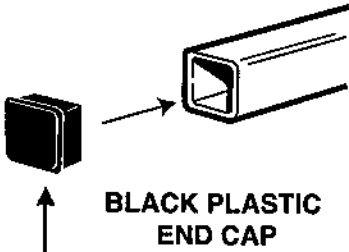


PART # 11506

Page 1 of 1

FIGURE A

Install black plastic plugs into end of flooring. Use silicon around plug before installing for added protection in (wet) weather conditions.



BLACK PLASTIC END CAP

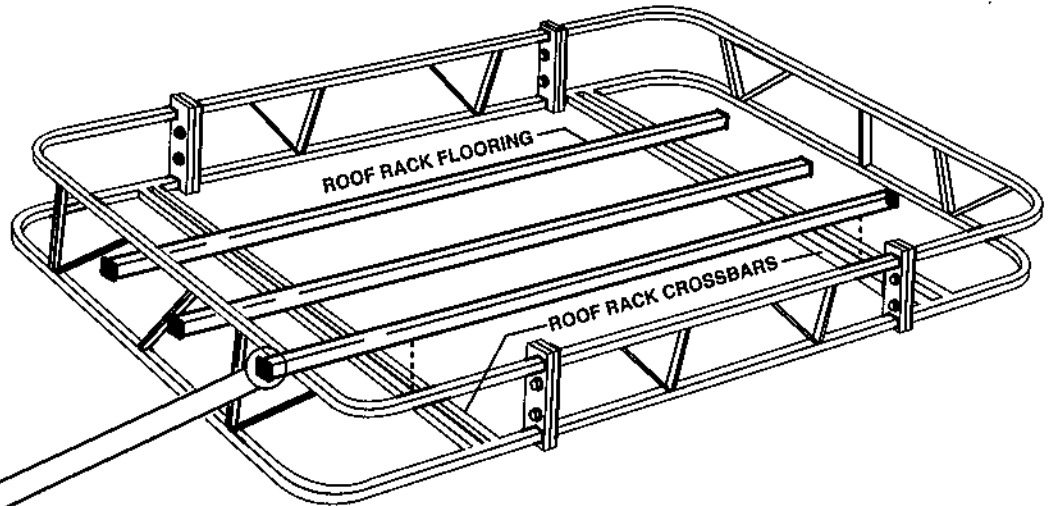
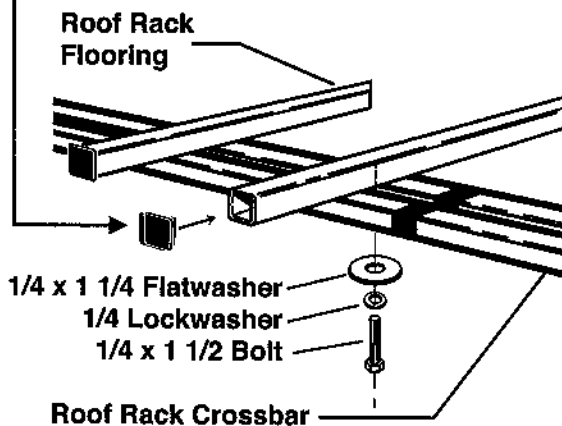


FIGURE B



THE FLOORS MOUNT ON TOP OF THE ROOF RACK CROSSBARS AND ARE COMPATIBLE WITH EITHER THE SPORT SERIES OR THE OFF ROAD SERIES ROOF RACKS.

### PARTS LIST

6 - FLOOR PIECES ( 50 1/2" )

1 - FLOORING BOLT KIT

#### CONTENTS

- 12 - 1/4 X 1 1/4" BOLTS
- 12 - 1/4 LOCKWASHERS
- 12 - 1/4 FLATWASHERS (1 1/4" DIA. )
- 12 - BLACK PLASTIC END CAPS

Apply Loctite to threads of 1/4 x 1 1/2" bolts for off road use.

SEE YELLOW CAUTION SHEET BEFORE TIGHTENING BOLTS

### INSTALLATION INSTRUCTIONS

- 1 - INSTALL BLACK PLASTIC END CAPS IN FLOOR ENDS ( FIGURE A )
- 2 - INSTALL FLOORS TO ROOF RACK CROSSBARS ( FIGURE B )
- 3 - START ALL BOLTS IN FLOORING ( FIGURE B ), LEAVE BOLTS LOOSE, EVENLY SPACE FLOORS ON ROOF RACK.
- 4 - ALIGN FLOORS AND THEN READ THE YELLOW CAUTION SHEET ( ENCLOSED ) BEFORE TIGHTENING 1/4 X 1 1/2" BOLTS.
- 5 - THE TWO OUTSIDE ( OUTBOARD ) FLOORS MAY HAVE TO BE RE-ADJUSTED TO CLEAR THE MOUNTING BOLTS AS THEY COME UP THROUGH THE CROSSBARS.
- 6 - WHEN INSTALLING THE SPARE TIRE CARRIER PART# 29880) THE TWO MIDDLE FLOORS MUST BE SPACED SO THE OUTSIDE MEASUREMENT IS 5 3/8".